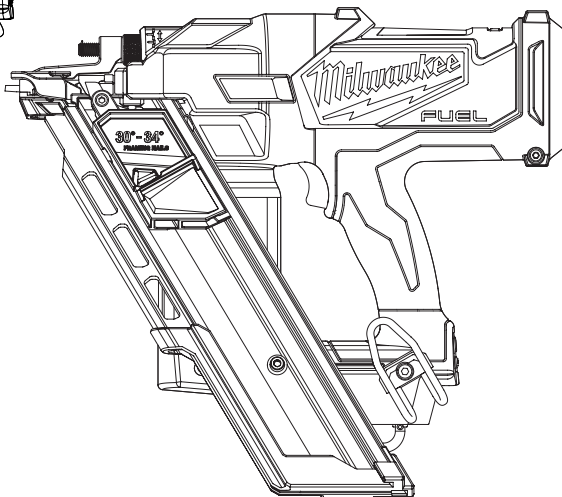
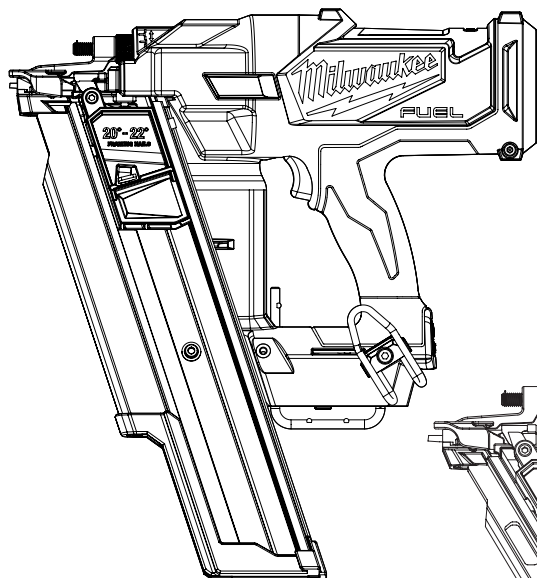




OPERATOR'S MANUAL  
MANUEL de L'UTILISATEUR  
MANUAL del OPERADOR



Cat. No. / No de cat.  
2744-20, 2745-20

**M18 FUEL™ FRAMING NAILERS**  
**CLOUEUSE DE CHARPENTERIE M18 FUEL™**  
**CLAVADORA DE ENTRAMADO M18 FUEL™**



**WARNING** To reduce the risk of injury, user must read and understand operator's manual.

**AVERTISSEMENT** Afin de réduire le risque de blessures, l'utilisateur doit lire et bien comprendre le manuel.

**ADVERTENCIA** Para reducir el riesgo de lesiones, el usuario debe leer y entender el manual.

## GENERAL POWER TOOL SAFETY WARNINGS

**⚠WARNING** Read all safety warnings, instructions, illustrations and specifications provided with this power tool. Failure to follow all instructions listed below may result in electric shock, fire and/or serious injury. **Save all warnings and instructions for future reference.** The term "power tool" in the warnings refers to your mains-operated (corded) power tool or battery-operated (cordless) power tool.

### WORK AREA SAFETY

- **Keep work area clean and well lit.** Cluttered or dark areas invite accidents.
- **Do not operate power tools in explosive atmospheres, such as in the presence of flammable liquids, gases or dust.** Power tools create sparks which may ignite the dust or fumes.
- **Keep children and bystanders away while operating a power tool.** Distractions can cause you to lose control.

### ELECTRICAL SAFETY

- **Power tool plugs must match the outlet. Never modify the plug in any way. Do not use any adapter plugs with earthed (grounded) power tools.** Unmodified plugs and matching outlets will reduce risk of electric shock.
- **Avoid body contact with earthed or grounded surfaces, such as pipes, radiators, ranges and refrigerators.** There is an increased risk of electric shock if your body is earthed or grounded.
- **Do not expose power tools to rain or wet conditions.** Water entering a power tool will increase the risk of electric shock.
- **Do not abuse the cord. Never use the cord for carrying, pulling or unplugging the power tool. Keep cord away from heat, oil, sharp edges or moving parts.** Damaged or entangled cords increase the risk of electric shock.
- **When operating a power tool outdoors, use an extension cord suitable for outdoor use.** Use of a cord suitable for outdoor use reduces the risk of electric shock.
- **If operating a power tool in a damp location is unavoidable, use a ground fault circuit interrupter (GFCI) protected supply.** Use of an GFCI reduces the risk of electric shock.

### PERSONAL SAFETY

- **Stay alert, watch what you are doing and use common sense when operating a power tool. Do not use a power tool while you are tired or under the influence of drugs, alcohol or medication.** A moment of inattention while operating power tools may result in serious personal injury.
- **Use personal protective equipment. Always wear eye protection.** Protective equipment such as a dust mask, non-skid safety shoes, hard hat or hearing protection used for appropriate conditions will reduce personal injuries.
- **Prevent unintentional starting. Ensure the switch is in the off-position before connecting to power source and/or battery pack, picking up or carrying the tool.** Carrying power tools with your finger on the switch or energizing power tools that have the switch on invites accidents.
- **Remove any adjusting key or wrench before turning the power tool on.** A wrench or a key left attached to a rotating part of the power tool may result in personal injury.

- **Do not overreach. Keep proper footing and balance at all times.** This enables better control of the power tool in unexpected situations.
- **Dress properly. Do not wear loose clothing or jewelry. Keep your hair and clothing away from moving parts.** Loose clothes, jewelry or long hair can be caught in moving parts.
- **If devices are provided for the connection of dust extraction and collection facilities, ensure these are connected and properly used.** Use of dust collection can reduce dust-related hazards.
- **Do not let familiarity gained from frequent use of tools allow you to become complacent and ignore tool safety principles.** A careless action can cause severe injury within a fraction of a second.

### POWER TOOL USE AND CARE

- **Do not force the power tool. Use the correct power tool for your application.** The correct power tool will do the job better and safer at the rate for which it was designed.
  - **Do not use the power tool if the switch does not turn it on and off.** Any power tool that cannot be controlled with the switch is dangerous and must be repaired.
  - **Disconnect the plug from the power source and/or remove the battery pack, if detachable, from the power tool before making any adjustments, changing accessories, or storing power tools.** Such preventive safety measures reduce the risk of starting the power tool accidentally.
  - **Store idle power tools out of the reach of children and do not allow persons unfamiliar with the power tool or these instructions to operate the power tool.** Power tools are dangerous in the hands of untrained users.
  - **Maintain power tools and accessories. Check for misalignment or binding of moving parts, breakage of parts and any other condition that may affect the power tool's operation. If damaged, have the power tool repaired before use.** Many accidents are caused by poorly maintained power tools.
  - **Keep cutting tools sharp and clean.** Properly maintained cutting tools with sharp cutting edges are less likely to bind and are easier to control.
  - **Use the power tool, accessories and tool bits etc. in accordance with these instructions, taking into account the working conditions and the work to be performed.** Use of the power tool for operations different from those intended could result in a hazardous situation.
  - **Keep handles and grasping surfaces dry, clean and free from oil and grease.** Slippery handles and grasping surfaces do not allow for safe handling and control of the tool in unexpected situations.
- ### BATTERY TOOL USE AND CARE
- **Recharge only with the charger specified by the manufacturer.** A charger that is suitable for one type of battery pack may create a risk of fire when used with another battery pack.
  - **Use power tools only with specifically designated battery packs.** Use of any other battery packs may create a risk of injury and fire.
  - **When battery pack is not in use, keep it away from other metal objects, like paper clips, coins, keys, nails, screws or other small metal objects, that can make a connection from one terminal to another.** Shorting the battery terminals together may cause burns or a fire.

- **Under abusive conditions, liquid may be ejected from the battery; avoid contact. If contact accidentally occurs, flush with water. If liquid contacts eyes, additionally seek medical help.** Liquid ejected from the battery may cause irritation or burns.
- **Do not use a battery pack or tool that is damaged or modified.** Damaged or modified batteries may exhibit unpredictable behavior resulting in fire, explosion or risk of injury.
- **Do not expose a battery pack or tool to fire or excessive temperature.** Exposure to fire or temperature above 265°F (130°C) may cause explosion.
- **Follow all charging instructions and do not charge the battery pack or tool outside the temperature range specified in the instructions.** Charging improperly or at temperatures outside the specified range may damage the battery and increase the risk of fire.

## SERVICE

- **Have your power tool serviced by a qualified repair person using only identical replacement parts.** This will ensure that the safety of the power tool is maintained.
- **Never service damaged battery packs.** Service of battery packs should only be performed by the manufacturer or authorized service providers.

## NAILER SAFETY WARNINGS



- **Always assume that the tool contains fasteners.** Careless handling of the nailer can result in unexpected firing of fasteners and personal injury.
- **Do not point the tool towards yourself or anyone nearby.** Unexpected triggering will discharge the fastener causing an injury.
- **Do not actuate the tool unless the tool is placed firmly against the workpiece.** If the tool is not in contact with the workpiece, the fastener may be deflected away from your target.
- **Disconnect the tool from the power source when the fastener jams in the tool.** While removing a jammed fastener, the nailer may be accidentally activated if it is plugged in.
- **Use caution while removing a jammed fastener.** The mechanism may be under compression and the fastener may be forcefully discharged while attempting to free a jammed condition.
- **Do not use this nailer for fastening electrical cables.** It is not designed for electric cable installation and may damage the insulation of electric cables thereby causing electric shock or fire hazards.
- **Prior to each use, check workpiece contact and trigger for correct operation.** Do not disassemble or clamp parts of the workpiece contact, trigger, or driving mechanism. This will cause unexpected actuation, resulting in serious injury.
- **Do not engage in horseplay.** The discharged fasteners are projectiles capable of causing serious injury.
- **Do not remove, tamper with, or otherwise cause the tool operating controls to become inoperable.** This will cause unexpected actuation, resulting in serious injury.
- **Do not operate a tool if any portion of the tool operating controls is inoperable, disconnected, altered, or not working properly.** This will cause unexpected actuation, resulting in serious injury.

- **Always keep hands and body away from discharge area of the tool.** Never attempt to clear a jammed workpiece contact by grasping the discharge area of the tool. Fasteners discharged from tool can cause serious injury if they contact hands or body.
- **Do not drive fasteners close to the edge of the workpiece.** Fasteners can slip off corners and edges or penetrate through thin material, making them projectiles capable of causing serious injury.
- **Use the tool only for the intended purpose. Do not abuse the tool.** Do not use as a hammer, stamp or engrave information onto parts, drop or impact the tool or otherwise apply excess force to the tool in use. Do not mount the tool to stands or modify it for stationary use.
- **Always use common sense and be cautious when using tools.** It is not possible to anticipate every situation that could result in a dangerous outcome. Do not use this tool if you do not understand these operating instructions or you feel the work is beyond your capability; contact Milwaukee Tool or a trained professional for additional information or training.
- **Maintain labels and nameplates.** These carry important information. If unreadable or missing, contact a MILWAUKEE service facility for a free replacement.

- **WARNING** Some dust created by power sanding, sawing, grinding, drilling, and other construction activities contains chemicals known to cause cancer, birth defects or other reproductive harm. Some examples of these chemicals are:
  - lead from lead-based paint
  - crystalline silica from bricks and cement and other masonry products, and
  - arsenic and chromium from chemically-treated lumber.

Your risk from these exposures varies, depending on how often you do this type of work. To reduce your exposure to these chemicals: work in a well ventilated area, and work with approved safety equipment, such as those dust masks that are specially designed to filter out microscopic particles.

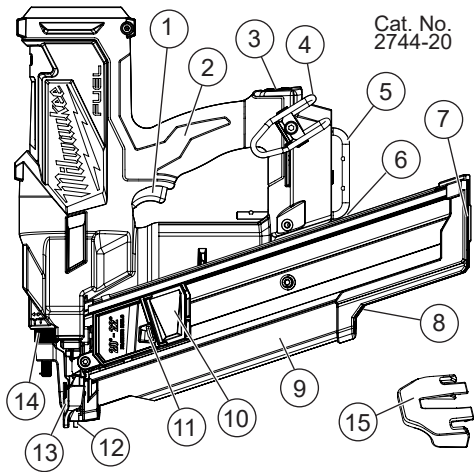
## SYMBOLGY

	Volts
	Direct Current
	Single Sequential Actuation
	Contact (Bump) Actuation
	Read Operator's Manual
	Wear Eye Protection
	Keep Hands Away
	UL Listing for Canada and U.S.

## SPECIFICATIONS

Volts.....	18 DC
Battery Type.....	M18™
Charger Type.....	M18™
<b>Cat. No.</b> .....	<b>2744-20</b>
Collation Angle.....	21°
Fastener Length.....	2" - 3-1/2"
Fastener Size (Diameter).....	0.113" - 0.148"
Magazine Capacity.....	43 nails
<b>Cat. No.</b> .....	<b>2745-20</b>
Collation Angle.....	30°
Fastener Length.....	2" - 3-1/2"
Fastener Size (Diameter).....	0.113" - 0.131"
Magazine Capacity.....	51 nails
Recommended Ambient Operating Temperature.....	0°F to 125°F

## FUNCTIONAL DESCRIPTION



- |                                  |                               |
|----------------------------------|-------------------------------|
| 1. Trigger                       | 8. LED (backside of tool)     |
| 2. Handle                        | 9. Magazine                   |
| 3. Power/Actuation selection     | 10. Nail pusher               |
| 4. Belt hook                     | 11. Pusher release button     |
| 5. Rafter hook                   | 12. Striker                   |
| 6. Hex wrench (backside of tool) | 13. Workpiece contact bracket |
| 7. Nail slot                     | 14. Depth adjustment          |
|                                  | 15. No-Mar pad                |

## ASSEMBLY

**⚠ WARNING** Recharge only with the charger specified for the battery. For specific charging instructions, read the operator's manual supplied with your charger and battery.

### Removing/Inserting the Battery

To **remove** the battery, push in the release buttons and pull the battery pack away from the tool.

**⚠ WARNING** Always remove battery pack before changing or removing accessories.

To **insert** the battery, slide the pack into the body of the tool. Make sure it latches securely into place.

### Attaching No-Mar Pad

The No-Mar pad on the nose of the tool protects the workpiece when the workpiece contact is compressed during actuation.

1. Remove the battery pack.
2. Snap the No-Mar pad into place over the points of the workpiece contact bracket.
3. Pull on the No-Mar pad to be certain it is properly secured.
4. To remove the pad, pull the pad away from the workpiece contact bracket.

### Installing/Removing Fastener Strips

**⚠ WARNING** Always remove battery pack before changing or removing fasteners.

Always wear safety goggles or glasses with side shields.

Keep fingers clear of fastener track of magazine. Pusher could pinch fingers, causing injury.

To **install** fastener strips:

1. Remove battery pack.
2. **⚠ WARNING!** Always point the tool away from yourself and others when installing fasteners. Failure to do so could result in injury.
3. Slide the fastener strip into the nail slot and down toward the front of the tool. Be sure the point of the fasteners is pointed downward. **⚠ WARNING!** Use only recommended fasteners of the correct size, length, collation angle and head type as indicated on the tool's nameplate. Other fasteners could result in tool malfunction, leading to injury.
4. Press and hold the pusher release button and slide the pusher back past the end of the fastener strips.
5. Continue to hold the pusher, but release the button. Slowly slide the pusher forward until it rests against the fastener strip.

To **remove** fastener strips:

1. Remove battery pack.
2. **⚠ WARNING!** Always point the tool away from yourself and others when installing fasteners. Failure to do so could result in injury.
3. Press and hold the pusher release button and slide the pusher towards the front of the tool. Release the pusher.
4. Slide the nails back and out of the nail slot.

## OPERATION

**WARNING** To reduce the risk of injury, always wear safety goggles or glasses with side shields. The operator and other people in the work area must wear eye protection in accordance with ANSI Z87.1. Eye protection does not fit all operators in the same way. Make sure the eye protection chosen has side shields or provides protection from flying debris both from the front and sides. The employer is responsible for enforcing the use of eye protection by the operator and other people in the work area. When required, wear head protection in accordance with ANSI Z89.1.

To reduce the risk of injury to yourself and others, test the tool before beginning work each day according to the "Required Daily Testing" section. Do not use the tool unless you thoroughly understand the actuation mode selected.


Remove battery pack and fasteners before leaving the work area, moving the tool to another location, or handing the tool to another person. Failure to do so could result in serious injury.

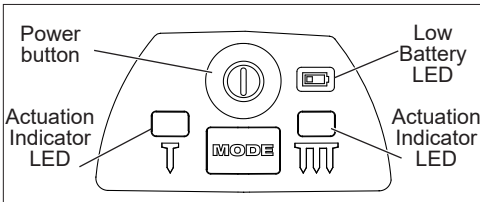
Do not use this tool for fastening electrical cables. It is not designed for electric cable installation and may damage the insulation of electric cables thereby causing electric shock or fire hazards.

NEVER wedge or hold back the workpiece contact mechanism during operation of the tool. Never attempt to clear a jammed workpiece contact by grasping the discharge area of the tool. Doing so could result in serious injury.

To avoid serious injury, do not attempt to prevent the recoil by holding the tool too firmly against the work. Keep face and body away from the tool. During normal use, the tool will recoil immediately after driving a fastener. This is a normal function of the tool. Restriction to the recoil can result in a second fastener being driven when the tool is in Contact Actuation mode. Grip the handle firmly, let the tool do the work, and do not place a second hand on top of the tool.

### Power/Actuation Selection

1. Install battery pack.
2. Press and hold the Power button  to turn on the tool (the Power button's green LED ring will light).
3. The Low Battery LED indicates when the battery level does not have sufficient charge to operate the tool.



4. Press and hold the MODE button to toggle between single sequential actuation mode and contact (bump) actuation mode.

**WARNING!** Understand actuation process before use.




### Single Sequential Actuation -

The workpiece contact and then the trigger must be activated in a specific sequence to drive a fastener.



### Contact (Bump) Actuation -

The workpiece contact and the trigger can be activated in any sequence to drive a fastener.

5. Press and hold the Power button  to turn off the tool.

### Single Sequential Actuation Operation

1. Grip the handle firmly.
2. Push the tool against the work surface, compressing the workpiece contact.
3. Pull the trigger to drive the fastener. **WARNING!** To avoid serious injury, do not attempt to prevent the recoil by holding the tool too firmly against the work.
4. Remove your finger from the trigger and remove the tool from the workpiece.

### Contact (Bump) Actuation Operation

Contact Actuation can follow two different sequences, depending on your use.

#### Multiple actuations:

1. Grip the handle firmly.
2. Pull and hold the trigger.
3. Push the tool against the work surface, compressing the workpiece contact to drive the fastener. **WARNING!** To avoid serious injury, do not attempt to prevent the recoil by holding the tool too firmly against the work.
4. Continue to hold the trigger and repeat workpiece contact.

#### Single actuation:

1. Grip the handle firmly.
2. Push the tool against the work surface, compressing the workpiece contact.
3. Pull the trigger to drive the fastener. **WARNING!** To avoid serious injury, do not attempt to prevent the recoil by holding the tool too firmly against the work.
4. Remove your finger from the trigger and remove the tool from the workpiece.

### Thermal Overload

If the tool overheats, it will stop working and the power button/actuation indicators will flash. Once the tool cools down, the tool will revert to the selected mode. Restart work as normal.

## Reload Indicator

To indicate that the magazine is almost empty of fasteners (about 4-5 left), the workpiece contact will not compress, preventing operation under usual pressure. Install more fasteners to continue working.

**⚠WARNING** NEVER wedge or hold back the workpiece contact mechanism during operation of the tool. Never attempt to clear a jammed workpiece contact by grasping the discharge area of the tool. Doing so could result in serious injury.

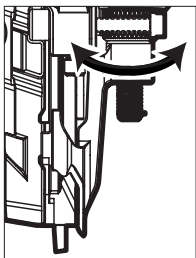
To avoid serious injury, do not attempt to prevent the recoil by holding the tool too firmly against the work. Keep face and body away from the tool. During normal use, the tool will recoil immediately after driving a fastener. This is a normal function of the tool. Restriction to the recoil can result in a second fastener being driven when the tool is in Contact Actuation mode. Grip the handle firmly, let the tool do the work, and do not place a second hand on top of the tool.

## Setting the Depth of Drive

The depth of drive can be adjusted to account for the size of the fastener and the workpiece material.

**⚠WARNING** Know what is behind your workpiece. A fastener could travel through the workpiece and out the other side, striking a bystander and causing serious injury. Lower the depth of drive to prevent the fastener from being pushed all the way through the workpiece.

1. Drive a test fastener.
2. Remove battery pack.
3. **⚠WARNING!** Always point the tool away from yourself and others when making adjustments. Failure to do so could result in injury.
4. Turn the depth selector left or right to increase or decrease the driving depth.
5. Repeat until desired depth is reached.



## Clearing a Jammed Fastener

Most jams are caused by a fastener or part of a fastener wedging between the driver blade and the nail guide. Fastener strips with an incorrect collation angle or the wrong fastener gauge may cause continuous jamming. To clear the jam:

1. Remove battery pack.
2. **⚠WARNING!** Always point the tool away from yourself and others when installing or removing fasteners. Failure to do so could result in injury.
3. Remove fastener strip from magazine.
4. Remove the fastener using needle-nose pliers. If necessary, remove magazine from tool.
5. Follow the steps under "Required Daily Testing" before restarting the work.

## Resetting Striker

After a nail jam or low battery condition, the striker may not reset.

To reset the striker,

1. Remove battery pack.
2. **⚠WARNING!** Always point the tool away from yourself and others when installing or removing fasteners. Failure to do so could result in injury.

3. Remove fastener strip from magazine.
4. Check for incorrect striker position. If striker does not require a reset, see steps for clearing a jammed nail.
5. To reset striker, install battery pack.
6. Hold open the nail pusher (to override the Reload Indicator) and press the workpiece contact against a workpiece.
7. Pull the trigger.
8. The striker will retract.
9. Follow the steps under "Required Daily Testing" before restarting the work.

## REQUIRED DAILY TESTING

**⚠WARNING** To reduce the risk of injury to yourself and others, test the tool before beginning work each day or if the tool is dropped, received a sharp blow, been run over, etc. Complete the following checklist IN ORDER. If the tool does not work as it should, contact a MILWAUKEE service facility immediately.

Always point tool away from yourself and others.

1. Remove battery pack.
2. **⚠WARNING!** Always point the tool away from yourself and others when installing fasteners. Failure to do so could result in injury.
3. Check all screws, bolts, nuts, and pins on the tool. Any loose fasteners must be tightened.
4. Hold open the nail pusher (to override the Reload Indicator) and press the workpiece contact against a workpiece. It must move smoothly.
5. With the workpiece contact pressed against the workpiece, pull the trigger. It must move smoothly.
6. Insert battery pack.
7. Select the Single Sequential Actuation Operation. Without pulling the trigger, hold open the nail pusher (to override the Reload Indicator) and press the workpiece contact against a workpiece. The tool must not operate. Holding the workpiece contact away from the workpiece, open the nail pusher (to override the Reload Indicator). Pull and hold the trigger for 5 seconds. The tool must not operate. Continue to pull and hold the trigger and push the workpiece contact against a workpiece. The tool must not operate. Without pulling the trigger, hold open the nail pusher (to override the Reload Indicator) and press the workpiece contact against a workpiece. Pull the trigger. The tool must operate. Release the trigger. The driver must move up.
8. Select the Contact Actuation Operation. Holding the workpiece contact away from the workpiece, hold open the nail pusher (to override the Reload Indicator) and pull the trigger. The tool must not operate. Continue to pull and hold the trigger and push the workpiece contact against a workpiece. The tool must operate.
9. If all previous tests work properly, set the tool for your work. Select the operation and load fastener strips.
10. Set the depth of drive according to the "Setting the Depth of Drive" section.
11. If all tests operate properly, the tool is ready for use. Repeat these tests before use each day or if the tool is dropped, received a sharp blow, been run over, jammed, etc.

## MAINTENANCE

**⚠WARNING** To reduce the risk of injury, always unplug the charger and remove the battery pack from the charger or tool before performing any maintenance. Never disassemble the tool, battery pack or charger. Contact a MILWAUKEE service facility for ALL repairs.

### Maintaining Tool

Keep your tool, battery pack and charger in good repair by adopting a regular maintenance program. Inspect your tool for issues such as undue noise, misalignment or binding of moving parts, breakage of parts, or any other condition that may affect the tool operation. Return the tool, battery pack, and charger to a MILWAUKEE service facility for repair. After six months to one year, depending on use, return the tool, battery pack and charger to a MILWAUKEE service facility for inspection.

If the tool does not start or operate at full power with a fully charged battery pack, clean the contacts on the battery pack. If the tool still does not work properly, return the tool, charger and battery pack, to a MILWAUKEE service facility for repairs.

**⚠WARNING** To reduce the risk of personal injury and damage, never immerse your tool, battery pack or charger in liquid or allow a liquid to flow inside them.

### Cleaning

Clean dust and debris from vents. Keep handles clean, dry and free of oil or grease. Use only mild soap and a damp cloth to clean, since certain cleaning agents and solvents are harmful to plastics and other insulated parts. Some of these include gasoline, turpentine, lacquer thinner, paint thinner, chlorinated cleaning solvents, ammonia and household detergents containing ammonia. Never use flammable or combustible solvents around tools.

### Repairs

For repairs, return the tool, battery pack and charger to the nearest authorized service center.

## ACCESSORIES

**⚠WARNING** Use only recommended accessories. Others may be hazardous.

For a complete listing of accessories, go online to [www.milwaukeetool.com](http://www.milwaukeetool.com) or contact a distributor.

## SERVICE - UNITED STATES

**1-800-SAWDUST (1.800.729.3878)**

Monday-Friday, 7:00 AM - 6:30 PM CST  
or visit [www.milwaukeetool.com](http://www.milwaukeetool.com)

Contact Corporate After Sales Service Technical Support with technical, service/repair, or warranty questions.

Email: [metproductsupport@milwaukeetool.com](mailto:metproductsupport@milwaukeetool.com)

Become a Heavy Duty Club Member at [www.milwaukeetool.com](http://www.milwaukeetool.com) to receive important notifications regarding your tool purchases.

## SERVICE - CANADA

**Milwaukee Tool (Canada) Ltd**

**1.800.268.4015**

Monday-Friday, 7:00 AM - 4:30 PM CST  
or visit [www.milwaukeetool.ca](http://www.milwaukeetool.ca)

## LIMITED WARRANTY USA & CANADA

Every MILWAUKEE power tool\* (see exceptions below) is warranted to the original purchaser only to be free from defects in material and workmanship. Subject to certain exceptions, MILWAUKEE will repair or replace any part on an electric power tool which, after examination, is determined by MILWAUKEE to be defective in material or workmanship for a period of five (5) years\*\* after the date of purchase unless otherwise noted. Return of the power tool to a MILWAUKEE factory Service Center location or MILWAUKEE Authorized Service Station, freight prepaid and insured, is required. A copy of the proof of purchase should be included with the return product. This warranty does not apply to damage that MILWAUKEE determines to be from repairs made or attempted by anyone other than MILWAUKEE authorized personnel, misuse, alterations, abuse, normal wear and tear, lack of maintenance, or accidents.

Normal Wear: Many power tools need periodic parts replacement and service to achieve best performance. This warranty does not cover repair when normal use has exhausted the life of a part including, but not limited to, chucks, brushes, cords, saw shoes, blade clamps, o-rings, seals, bumpers, driver blades, pistons, strikers, lifters, and bumper cover washers.

\*This warranty does not cover Air Nailers & Staplers; Airless Paint Sprayer; Cordless Battery Packs; Gasoline Driven Portable Power Generators; Hand Tools; Hoist - Electric, Lever & Hand Chain; M12™ Heated Gear; Reconditioned Product; and Test & Measurement Products. There are separate and distinct warranties available for these products.

\*\*The warranty period for Job Site Radios, M12™ Power Port, M18™ Power Source, Jobsite Fan and Trade Titan™ Industrial Work Carts is one (1) year from the date of purchase. The warranty period for the M18 FUEL™ 1" D-Handle High Torque Impact Wrenches, Drain Cleaning Cables, AIRSNAKE™ Drain Cleaning Air Gun Accessories, and REDLITHIUM™ USB Laser Levels is two (2) years from the date of purchase. The warranty period for the M18™ Compact Heat Gun, 8 Gallon Dust Extractor, M18™ Framing Nailers, M18 FUEL™ 1/2" Ext. Anvil Controlled Torque Impact Wrench w/ ONE-KEY™, M18 FUEL™ 1" High Torque Impact Wrench w/ ONE-KEY™, M18 FUEL™ 2 Gal. Compact Quiet Compressor, and M12™ Laser Levels is three (3) years from the date of purchase. The warranty period for the LED in the LED Work Light and the LED Upgrade Bulb for the Work Light is the lifetime of the product subject to the limitations above. If during normal use the LED or LED Bulb fails, the part will be replaced free of charge. Warranty Registration is not necessary to obtain the applicable warranty on a MILWAUKEE power tool product. The manufacturing date of the product will be used to determine the warranty period if no proof of purchase is provided at the time warranty service is requested.

ACCEPTANCE OF THE EXCLUSIVE REPAIR AND REPLACEMENT REMEDIES DESCRIBED HEREIN IS A CONDITION OF THE CONTRACT FOR THE PURCHASE OF EVERY MILWAUKEE PRODUCT. IF YOU DO NOT AGREE TO THIS CONDITION, YOU SHOULD NOT PURCHASE THE PRODUCT. IN NO EVENT SHALL MILWAUKEE BE LIABLE FOR ANY INCIDENTAL, SPECIAL, CONSEQUENTIAL OR PUNITIVE DAMAGES, OR FOR ANY COSTS, ATTORNEY FEES, EXPENSES, LOSSES OR DELAYS ALLEGED TO BE AS A CONSEQUENCE OF ANY DAMAGE TO, FAILURE OF, OR DEFECT IN ANY PRODUCT INCLUDING, BUT NOT LIMITED TO, ANY CLAIMS FOR LOSS OF PROFITS. SOME STATES DO NOT ALLOW THE EXCLUSION OR LIMITATION OF INCIDENTAL OR CONSEQUENTIAL DAMAGES, SO THE ABOVE LIMITATION OR EXCLUSION MAY NOT APPLY TO YOU. THIS WARRANTY IS EXCLUSIVE AND IN LIEU OF ALL OTHER EXPRESS WARRANTIES, WRITTEN OR ORAL, TO THE EXTENT PERMITTED BY LAW, MILWAUKEE DISCLAIMS ANY IMPLIED WARRANTIES, INCLUDING WITHOUT LIMITATION ANY IMPLIED WARRANTY OF MERCHANTABILITY OR FITNESS FOR A PARTICULAR USE OR PURPOSE; TO THE EXTENT SUCH DISCLAIMER IS NOT PERMITTED BY LAW, SUCH IMPLIED WARRANTIES ARE LIMITED TO THE DURATION OF THE APPLICABLE EXPRESS WARRANTY AS DESCRIBED ABOVE. SOME STATES DO NOT ALLOW LIMITATIONS ON HOW LONG AN IMPLIED WARRANTY LASTS, SO THE ABOVE LIMITATION MAY NOT APPLY TO YOU, THIS WARRANTY GIVES YOU SPECIFIC LEGAL RIGHTS, AND YOU MAY ALSO HAVE OTHER RIGHTS WHICH VARY FROM STATE TO STATE.

This warranty applies to product sold in the U.S.A. and Canada only. Please consult the 'Service Center Search' in the Parts & Service section of MILWAUKEE's website [www.milwaukeetool.com](http://www.milwaukeetool.com) or call 1.800.SAWDUST (1.800.729.3878) to locate your nearest service facility for warranty and non-warranty service on a Milwaukee electric power tool.

## RÈGLES DE SÉCURITÉ GÉNÉRALES RELATIVES AUX OUTILS ÉLECTRIQUES

**⚠ AVERTISSEMENT** Lire toutes les consignes de sécurité, consignes, illustrations et spécifications fournies avec cet outil électrique. Ne pas suivre l'ensemble des règles et instructions peut entraîner une électrocution, un incendie ou des blessures graves. **Conserver les règles et les instructions à des fins de référence ultérieure.** Le terme «outil électrique» figurant dans les avertissements ci-dessous renvoie à l'outil électrique à alimentation par le réseau (à cordon) ou par batterie (sans fil).

### SÉCURITÉ DU LIEU DE TRAVAIL

- **Veillez à ce que l'aire de travail soit propre et bien éclairée.** Le désordre et le manque de lumière favorisent les accidents.
- **Ne pas utiliser d'outils électriques dans des atmosphères explosives, par exemple en présence de liquides, gaz ou poussières inflammables.** Les outils électriques produisent des étincelles risquant d'enflammer les poussières ou vapeurs.
- **S'assurer que les enfants et les curieux se trouvent à une bonne distance au moment d'utiliser un outil électrique.** Les distractions peuvent causer une perte de contrôle.

### SÉCURITÉ ÉLECTRIQUE

- **Les fiches des outils électriques doivent correspondre à la prise secteur utilisée.** Ne jamais modifier la fiche, de quelque façon que ce soit. Ne jamais utiliser d'adaptateurs de fiche avec des outils mis à la terre. Les fiches et prises non modifiées réduisent le risque de choc électrique.
- **Éviter tout contact avec des surfaces mises à la terre comme des tuyaux, des radiateurs, des cuisinières et des réfrigérateurs.** Le risque de choc électrique est accru lorsque le corps est mis à la terre.
- **Ne pas exposer les outils électriques à l'eau ou l'humidité.** La pénétration d'eau dans ces outils accroît le risque de choc électrique.
- **Ne pas maltraiter le cordon d'alimentation. Ne jamais utiliser le cordon d'alimentation pour transporter l'outil électrique et ne jamais débrancher ce dernier en tirant sur le cordon.** Garder le cordon à l'écart de la chaleur, de l'huile, des objets tranchants et des pièces en mouvement. Un cordon endommagé ou emmêlé accroît le risque de choc électrique.
- **Pour les travaux à l'extérieur, utiliser un cordon spécialement conçu à cet effet.** Utiliser un cordon conçu pour l'usage extérieur réduit les risques de choc électrique.
- **Si l'utilisation d'un outil électrique est inévitable dans un endroit humide, utiliser une source d'alimentation munie d'un disjoncteur de fuite de terre.** L'utilisation d'un disjoncteur de fuite de terre réduit le risque de choc électrique. sécurité individuelle

### SÉCURITÉ INDIVIDUELLE

- **Rester attentif, prêter attention au travail et faire preuve de bon sens lors de l'utilisation de tout outil électrique.** Ne pas utiliser cet appareil en cas de fatigue ou sous l'influence de l'alcool, de drogues ou de médicaments. Un moment d'inattention pendant l'utilisation d'un outil électrique peut entraîner des blessures graves.
- **Porter l'équipement de protection individuel requis. Toujours porter une protection oculaire.** Selon les conditions, porter aussi un masque antipoussières, des bottes de sécurité antidérapantes, un casque protecteur ou une protection auditive afin de réduire les blessures.
- **Empêcher les démarrages accidentels. S'assurer**

que la gâchette est en position d'arrêt avant de brancher l'outil à une source de courant, d'insérer la batterie, de le ramasser ou de le transporter. Le fait de transporter un outil électrique en gardant le doigt sur la gâchette ou de mettre sous tension un outil électrique lorsque la gâchette est en position de marche favorise les accidents.

- **Retirer les clés de réglage avant de mettre l'outil en marche.** Une clé laissée sur une pièce rotative de l'outil peut causer des blessures.
- **Ne pas travailler hors de portée. Toujours se tenir bien campé et en équilibre.** Une bonne stabilité procure un meilleur contrôle de l'outil électrique en cas d'imprévu.
- **Porter une tenue appropriée. Ne porter ni vêtements amples, ni bijoux. Garder les cheveux et les vêtements à l'écart des pièces en mouvement.** Les vêtements flottants, les bijoux ou les cheveux longs risquent d'être happés par les pièces en mouvement.
- **Si les outils sont équipés de dispositifs de dépoussiérage, s'assurer qu'ils sont connectés et correctement utilisés.** L'utilisation d'un collecteur de poussière permet de réduire les dangers liés à la poussière.
- **Ne pas laisser la familiarité avec l'outil acquise par une utilisation fréquente vous rendre suffisant et vous amener à ignorer les règles de sécurité.** Une utilisation négligée peut causer une blessure grave en une fraction de seconde.

### UTILISATION ET ENTRETIEN DE L'OUTIL ÉLECTRIQUE

- **Ne pas forcer l'outil électrique. Utiliser l'outil électrique approprié pour l'application.** Un outil électrique approprié exécutera le travail mieux et de façon moins dangereuse s'il est utilisé dans les limites prévues.
- **Ne pas utiliser l'outil électrique si le commutateur ne permet pas de le mettre en marche ou de l'arrêter.** Tout outil électrique qui ne peut pas être contrôlé par son commutateur est dangereux et doit être réparé.
- **Débrancher l'outil et/ou retirer le bloc-piles, si possible, avant d'effectuer des réglages, de changer d'accessoire ou de remiser l'outil.** Ces mesures de sécurité préventives réduisent les risques de démarrage accidentel de l'outil.
- **Entreposer l'outil électrique hors de la portée des enfants et interdire à quiconque de l'utiliser si la personne ne connaît pas bien le produit ou les instructions.** Les outils électriques sont dangereux dans les mains d'utilisateurs novices.
- **Entretien des outils électriques et les accessoires. Vérifier qu'aucune pièce mobile n'est mal alignée ou bloquée, qu'aucune pièce n'est brisée et s'assurer qu'aucun autre problème risque d'affecter le bon fonctionnement de l'outil.** En cas de dommages, faire réparer l'outil avant de l'utiliser. Plusieurs accidents sont causés par des produits mal entretenus.
- **Garder les outils bien affûtés et propres.** Des outils correctement entretenus et dont les tranchants sont bien affûtés risquent moins de se bloquer et sont plus faciles à contrôler.
- **Utiliser l'outil électrique, les accessoires, les embouts etc. conformément à ces instructions en tenant compte des conditions de travail et de la tâche à effectuer.** L'usage d'un outil électrique pour des applications pour lesquelles il n'est pas conçu peut être dangereux.
- **Garder les poignées et les surfaces de préhension sèches, propres et exemptes d'huile ou de graisse.** Des poignées et des surfaces de préhension glissantes ne permettent pas de manipuler et de contrôler l'outil en toute sécurité en cas de situation imprévue.



## UTILISATION ET ENTRETIEN DE LA BATTERIE

- **Pour recharger le bloc-piles, utiliser seulement le chargeur spécifié par le fabricant.** Un chargeur pouvant convenir à un type de bloc-piles peut entraîner un risque d'incendie lorsqu'il est utilisé avec un autre type de bloc-piles.
- **N'utiliser l'outil électrique qu'avec une batterie recommandée.** L'utilisation de tout autre bloc-piles peut créer un risque de blessures et d'incendie.
- **Lorsque le bloc-piles n'est pas utilisé, le tenir éloigné des objets en métal tels que les trombones, les pièces de monnaie, les clés, les clous, les vis ou d'autres petits objets métalliques qui pourraient connecter les bornes.** Le court-circuitage des bornes d'une pile peut entraîner des brûlures ou un incendie.
- **Éviter tout contact avec le liquide pouvant être éjecté de la pile en cas de manutention abusive.** En cas de contact accidentel, rincer immédiatement les parties atteintes avec de l'eau. Si le liquide entre en contact avec les yeux, consulter un médecin. Le liquide éjecté des piles peut causer des irritations ou des brûlures.
- **N'utiliser aucun bloc-piles ni aucun outil ayant été endommagé ou modifié.** Des piles endommagées ou modifiées peuvent adopter un comportement imprévisible pouvant causer un incendie, une explosion ou le risque de blessures.
- **Ne pas exposer le bloc-piles ou l'outil aux flammes ou à une température excessive.** Une exposition aux flammes ou à une température supérieure à 130°C (265°F) peut causer une explosion.
- **Suivre toutes les instructions de charge et ne pas charger le bloc-piles ou l'outil en dehors de la plage de température spécifiée.** Une charge incorrecte ou à des températures en dehors de la plage spécifiée peut endommager la pile et augmenter le risque d'incendie.

## ENTRETIEN

- **Les réparations de l'outil électrique doivent être confiées à un technicien qualifié, utilisant exclusivement des pièces identiques à celles d'origine.** Le maintien de la sûreté de l'outil électrique sera ainsi assuré.
- **Ne jamais effectuer la réparation d'un bloc-piles endommagé.** La réparation du bloc-piles doit être réalisée par le fabricant ou les fournisseurs de service agréés uniquement.

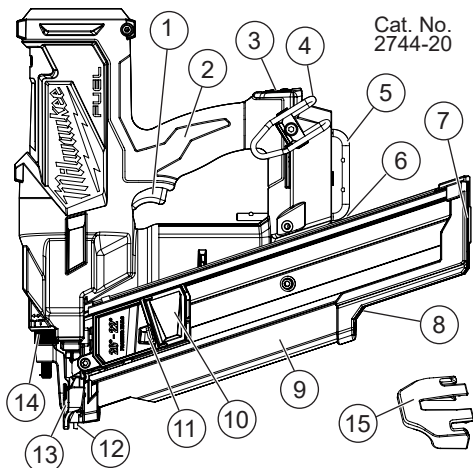
## RÈGLES DE SÉCURITÉ SPÉCIFIQUES POUR CLOUEUSES DE FINITION

- **Toujours présumer que l'outil contient des agrafes.** Un manque d'attention en manipulant la cloueuse peut causer une éjection accidentelle des agrafes et des blessures au personnel.
- **Ne pas pointer l'outil ni vers soi ni vers quiconque.** Un déclenchement accidentel déchargera l'agrafe causant des blessures.
- **Ne pas actionner l'outil s'il n'est pas fermement appuyé contre la pièce.** Si l'outil n'est pas en contact avec la pièce, l'agrafe peut être déviée de votre cible.
- **Débrancher l'outil de la source d'énergie si l'agrafe est coincée dans l'outil.** La cloueuse branchée peut être activée accidentellement en retirant l'agrafe coincée.
- **Être prudent en retirant l'agrafe coincée.** Le mécanisme peut être sous compression et l'agrafe coincée peut être déchargée avec une forte pression en essayant de la libérer.
- **Ne pas utiliser cette cloueuse pour fixer des câbles électriques.** Elle n'est pas conçue pour l'installation des câbles électriques et peut endommager leur isola-

tion causant un risque de choc électrique ou d'incendie.

- **Avant chaque utilisation, vérifier le contact de la pièce et la gâchette pour garantir un bon fonctionnement.** Ne pas désassembler ou serrer les pièces du mécanisme de contact, de déclenchement ou d'entraînement. Cela provoquera un déclenchement intempestif de la cloueuse, causant des blessures graves.
- **Ne pas l'utiliser comme un jouet.** Les agrafes déchargées sont des projectiles capables de causer des blessures graves.
- **Ne pas retirer, modifier ou rendre autrement inutilisables les commandes de l'outil.** Cela provoquera un déclenchement intempestif de la cloueuse, causant des blessures graves.
- **Ne pas utiliser un outil si une partie de ses commandes est inutilisable, déconnectée, altérée ou défectueuse.** Cela provoquera un déclenchement intempestif de la cloueuse, causant des blessures graves.
- **Toujours garder les mains et le corps à l'écart de la décharge de l'outil.** Ne jamais tenter de déboucher l'outil en agrippant la zone de décharge. Les agrafes déchargées de l'outil peuvent provoquer des blessures graves si elles touchent les mains ou le corps.
- **Ne pas planter d'agrafes près du bord de la pièce.** Les agrafes peuvent glisser des bords et des coins ou pénétrer dans les matériaux fins, ce qui en fait des projectiles capables de causer des blessures graves.
- **L'outil ne doit être utilisé que pour les fins auxquelles il a été conçu.** Ne pas maltraiter l'outil. Ne pas l'utiliser pour percer, estampiller ou graver des informations sur les pièces, ne pas faire tomber l'outil ou lui faire subir des chocs, ni autrement appliquer une force excessive lorsqu'il est utilisé. Ne pas monter l'outil sur un socle ou le modifier pour une utilisation fixe.
- **Toujours faire preuve de bon sens et procéder avec prudence lors de l'utilisation d'outils.** C'est impossible de prévoir toutes les situations dont le résultat est dangereux. Ne pas utiliser cet outil si vous ne comprenez pas ces instructions d'opération ou si vous pensez que le travail dépasse votre capacité ; veuillez contacter Milwaukee Tool ou un professionnel formé pour recevoir plus d'information ou formation.
- **Maintenir en l'état les étiquettes et les plaques d'identification.** Des informations importantes y figurent. Si elles sont illisibles ou manquantes, contacter un centre de services et d'entretien MILWAUKEE pour un remplacement gratuit.
- **⚠ AVERTISSEMENT** Certaines poussières générées par les activités de ponçage, de coupe, de rectification, de perçage et d'autres activités de construction contiennent des substances considérées être la cause de malformations congénitales et de troubles de l'appareil reproducteur. Parmi ces substances figurent:
  - le plomb contenu dans les peintures à base de plomb;
  - la silice cristalline des briques, du ciment et d'autres matériaux de maçonnerie, ainsi que
  - l'arsenic et le chrome des sciages traités chimiquement.Les risques encourus par l'opérateur envers ces expositions varient en fonction de la fréquence de ce type de travail. Pour réduire l'exposition à ces substances chimiques, l'opérateur doit travailler dans une zone bien ventilée et porter l'équipement de sécurité approprié, tel qu'un masque anti-poussière spécialement conçu pour filtrer les particules microscopiques.

## DESCRIPTION FONCTIONNELLE



- |                                     |   |
|-------------------------------------|---|
| 1. Gâchette                         | 10. Poussoir                                    |
| 2. Poignée                          | 11. Bouton de verrouillage de poussoir          |
| 3. Sélection de puissance/actuation | 12. Percuteur                                   |
| 4. Crochet de ceinture              | 13. Contact de déclenchement                    |
| 5. Crochet à chevron                | 14. Réglage de profondeur                       |
| 6. Clé hexagonale                   | 15. Patin caoutchouté ne faisant pas de marques |
| 7. Rainure de clou                  |   |
| 8. Voyant DEL                       |   |
| 9. Magasin                          |   |

## SPECIFICATIONS

Volts.....	18 CD
Type de batterie .....	M18™
Type de chargeur .....	M18™
<b>No de Cat.....</b>	<b>2744-20</b>
Angle d'assemblage .....	21°
Longueur d'agrafe .....	50,8 mm à 88,9 mm (2" - 3-1/2")
Taille d'agrafe (diamètre).....	2,8 mm à 3,7 mm (0,113" - 0,148")
Capacité de magasin.....	43 clous
<b>No de Cat.....</b>	<b>2745-20</b>
Angle d'assemblage .....	30°
Longueur d'agrafe .....	50,8 mm à 88,9 mm (2" - 3-1/2")
Taille d'agrafe (diamètre).....	2,8 mm à 3,3 mm (0,113" - 0,131")
Capacité de magasin.....	51 clous
Température ambiante de fonctionnement recommandée .....	-18°C à 50°C (0°F à 125°F)

## PICTOGRAPHIE



## MONTAGE DE L'OUTIL

**⚠ AVERTISSEMENT** Ne recharger la batterie qu'avec le chargeur spécifié. Pour prendre connaissance des instructions relatives à la charge, lire le manuel d'utilisation fourni avec le chargeur et la pile.

### Insertion et retrait de la pile

Pour **retirer** la pile, appuyer sur les boutons de relâchement et extraire la pile de l'outil.

**⚠ AVERTISSEMENT** Toujours retirer le bloc-piles avant de changer ou de retirer les accessoires.

Pour **insérer** la pile, la glisser dans le corps de l'outil. S'assurer qu'elle y est bien insérée

### Fixation du coussinet No-Mar

Le coussinet No-Mar sur le nez de l'outil protégé la pièce lorsque le contact de la pièce est comprimé pendant l'actionnement.

1. Retirez la batterie.
2. Encliquez le coussinet No-Mar sur les points du support de contact de la pièce.
3. Tirez sur le coussinet No-Mar pour vous assurer qu'il est correctement fixé.
4. Pour retirer le patin, écarter-le du support de contact de la pièce.

### Installation et retrait des bandes d'agrafes

**⚠ AVERTISSEMENT** Toujours retirer le bloc-piles avant de changer ou de retirer les agrafes. Toujours porter des lunettes de sécurité munies d'écrans latéraux.

**Garder les doigts à l'écart du circuit d'agrafes du chargeur. Vous pourriez vous pincer les doigts dans le poussoir et vous blesser.**

Pour **installer** les bandes d'agrafes :

1. Retirer le bloc-piles
2. **AVERTISSEMENT!** Ne jamais pointer l'outil ni vers soi, ni vers d'autres personnes lors de l'installation des agrafes. Ne pas procéder de la sorte peut entraîner des blessures.
3. Faire glisser la bande d'agrafes dans le logement du clou et vers le bas, en direction de l'avant de l'outil.

Veiller à ce que la pointe des agrafes soit orientée vers le bas. **AVERTISSEMENT!** Utiliser uniquement des agrafes recommandées avec une taille, une longueur, un angle d'assemblage et un type de tête adaptés, tel qu'indiqué sur la plaque signalétique de l'outil. D'autres agrafes pourraient provoquer une défaillance de l'outil et causer des blessures.

- Appuyer sur le bouton de relâchement du poussoir et le maintenir enfoncé, puis faire glisser le poussoir derrière l'extrémité des bandes d'agrafes.
- Continuer de maintenir le poussoir enfoncé, mais relâcher le bouton. Faire glisser doucement le poussoir vers l'avant jusqu'à ce qu'il soit en contact avec la bande d'agrafes.

Pour **retirer** les bandes d'agrafes :

- Retirer le bloc-piles
- AVERTISSEMENT!** Ne jamais pointer l'outil ni vers soi, ni vers d'autres personnes lors de l'installation des agrafes. Ne pas procéder de la sorte peut entraîner des blessures.
- Appuyer sur le bouton de relâchement du poussoir et le maintenir enfoncé, puis faire glisser le poussoir vers la tête de l'outil. Relâcher le poussoir.
- Faire glisser les clous en arrière et les sortir de leur logement.

## MANIEMENT

**AVERTISSEMENT!** Pour réduire le risque de blessure, toujours porter des lunettes de sécurité ou des lunettes avec écrans latéraux. L'opérateur et les autres personnes présentes dans la zone de travail doivent porter des protections oculaires conformément à la norme ANSI Z87.1. Les protections oculaires ne s'ajustent pas de la même façon sur toutes les personnes. Veiller à ce que le dispositif oculaire soit doté d'écrans latéraux protégeant des débris projetés sur le devant et les côtés. L'employeur est chargé d'imposer l'utilisation de protections oculaires par l'opérateur et les autres personnes présentes dans la zone de travail. Lorsque cela est nécessaire, porter un casque conformément à la norme ANSI Z89.1.

Pour réduire les risques de blessures à vous-même et aux autres, tester l'outil avant de commencer à travailler chaque jour, selon la section « Tests obligatoires au quotidien ».


Ne pas utiliser l'outil sans avoir entièrement compris le mode de déclenchement sélectionné. Retirer le bloc-piles et les agrafes avant de quitter la zone de travail, de déplacer l'outil dans un autre endroit ou de le prêter à une autre personne. Ne pas procéder de la sorte peut entraîner des blessures graves.

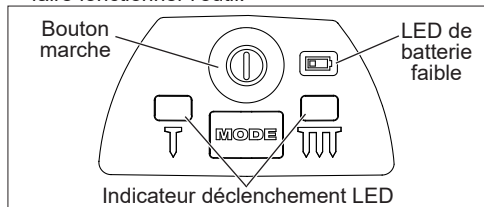
Ne pas utiliser cet outil pour fixer des câbles électriques. Il n'est pas conçu pour l'installation des câbles électriques et peut endommager leur isolation causant un risque de choc électrique ou d'incendie.


Ne JAMAIS caler ou bloquer le mécanisme de sûreté de déclenchement par contact pendant que l'outil est en fonctionnement. Ne jamais tenter de débourrer l'outil en agrippant la zone de décharge. Cela pourrait entraîner des blessures graves.

**Pour éviter les risques de blessures graves, ne pas essayer d'empêcher le recul en maintenant l'outil trop fermement contre la pièce. Garder le visage et le corps à l'écart de l'outil. Durant l'utilisation normale de l'outil, un recul se produit lorsqu'une agrafe est plantée. Ce recul est normal. Empêcher le recul pourrait causer l'éjection d'un second clou lorsque l'outil est en mode de déclenchement par contact. Tenir la poignée fermement, laisser l'outil exécuter le travail et ne jamais placer l'autre main sur le dessus de l'outil.**

### Sélection de l'alimentation/du déclenchement

- Installer le bloc-piles.
- Appuyer sur le  bouton d'alimentation/du déclenchement et le maintenir enfoncé pour démarrer l'outil.
- Le voyant de batterie faible indique quand la batterie niveau n'a pas suffisamment de charge pour faire fonctionner l'outil.



- Appuyer de nouveau sur le  bouton d'alimentation/du déclenchement pour basculer entre le mode de déclenchement par séquence unique et le mode de déclenchement par contact (choc). **AVERTISSEMENT!** Vous devez comprendre le processus de déclenchement avant toute utilisation.

#### Déclenchement par séquence unique

Voyant fixe : le contact de la pièce, puis la gâchette doivent être activés dans un ordre spécifique pour planter une agrafe.

#### Déclenchement par contact (choc)

Voyant clignotant : le contact de la pièce et la gâchette peuvent être activés dans n'importe quel ordre pour planter une agrafe.

- Appuyer sur le bouton d'alimentation/du déclenchement et le maintenir enfoncé pour éteindre l'outil.

### Opération de déclenchement par séquence unique

- Tenir la poignée fermement.
- Appuyer l'outil contre la pièce à clouer en actionnant le dispositif de déclenchement par contact.
- Presser la gâchette pour planter une agrafe. **AVERTISSEMENT!** Pour éviter les risques de blessures graves, ne pas essayer d'empêcher le recul en maintenant l'outil trop fermement contre la pièce.
- Enlever votre doigt de la gâchette et retirer l'outil de la pièce.

### Opération de déclenchement par contact (choc)

Le déclenchement par contact peut suivre deux séquences différentes, en fonction de votre utilisation.

#### Déclenchements multiples :

- Tenir la poignée fermement.
- Appuyer sur la gâchette et la maintenir enfoncée.

- Appuyer l'outil contre la pièce à clouer en actionnant le dispositif de déclenchement par contact pour planter l'agrafe. **AVERTISSEMENT!** Pour éviter les risques de blessures graves, ne pas essayer d'empêcher le recul en maintenant l'outil trop fermement contre la pièce.
- Continuer de maintenir la gâchette et répéter le contact avec la pièce.

#### Déclenchement unique :

- Tenir la poignée fermement.
- Appuyer l'outil contre la pièce à clouer en actionnant le dispositif de déclenchement par contact.
- Presser la gâchette pour planter une agrafe. **AVERTISSEMENT!** Pour éviter les risques de blessures graves, ne pas essayer d'empêcher le recul en maintenant l'outil trop fermement contre la pièce.
- Enlever votre doigt de la gâchette et retirer l'outil de la pièce.

#### Surcharge thermique

Si l'outil surchauffe, il cessera de fonctionner et le bouton d'alimentation/les voyants d'actuation clignoteront. Une fois l'outil se sera refroidi, il retournera au mode sélectionné. Reprendre le travail comme d'habitude.

#### Indicateur de recharge

Pour indiquer que le chargeur est presque vide (environ 4-5 agrafes restantes), le dispositif de contact de la pièce ne s'actionne pas, empêchant ainsi toute utilisation sous une pression habituelle. Installer de nouvelles agrafes pour continuer à travailler.

**AVERTISSEMENT** Ne JAMAIS caler ou bloquer le mécanisme de sûreté de déclenchement par contact pendant que l'outil est en fonctionnement. Ne jamais tenter de débarrasser l'outil en agrippant la zone de décharge. Cela pourrait entraîner des blessures graves.

Pour éviter les risques de blessures graves, ne pas essayer d'empêcher le recul en maintenant l'outil trop fermement contre la pièce. Garder le visage et le corps à l'écart de l'outil. Durant l'utilisation normale de l'outil, un recul se produit lorsqu'une agrafe est plantée. Ce recul est normal. Empêcher le recul pourrait causer l'éjection d'un second clou lorsque l'outil est en mode de déclenchement par contact. Tenir la poignée fermement, laisser l'outil exécuter le travail et ne jamais placer l'autre main sur le dessus de l'outil.

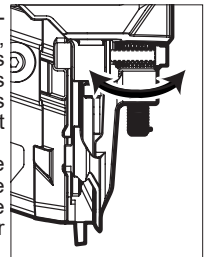
#### Définition de la profondeur d'enfoncement

La profondeur d'enfoncement peut être ajustée en fonction de la taille de l'agrafe et du matériau de la pièce à clouer.

**AVERTISSEMENT** Il importe de savoir ce qui est derrière votre pièce. Une agrafe pourrait dévier dans la pièce et ressortir de l'autre côté, heurtant un passant et causant des blessures graves. Réduire la profondeur d'enfoncement pour empêcher l'agrafe d'être poussée au travers de toute la pièce.

- Planter une agrafe test.
- Retirer le bloc-piles

- AVERTISSEMENT!** Ne jamais pointer l'outil ni vers soi, ni vers d'autres personnes lorsque vous effectuez des ajustements. Ne pas procéder de la sorte peut entraîner des blessures.
- Tourner le sélecteur de profondeur vers la droite ou la gauche pour accroître ou réduire la profondeur d'enfoncement.
- Recommencer jusqu'à ce que la profondeur souhaitée soit obtenue.



#### Déblocage d'une agrafe

La plupart de blocages sont provoqués par une agrafe ou une pièce d'elle se cale entre la lame d'entraînement et le guide de clou. Les bandes d'agrafe avec un angle de regroupement incorrect ou une agrafe avec le calibre incorrect pourront provoquer des blocages constants. Pour corriger le blocage :

- Retirer le bloc-piles.
- AVERTISSEMENT!** Toujours diriger l'outil loin de vous et d'autres lors de l'installation ou l'enlèvement des agrafes. Ne pas procéder de la sorte peut entraîner des blessures.
- Retirer la bande d'agrafe du magasin.
- Retirer l'agrafe à l'aide d'une pince à bec fin. Retirer le magasin de l'outil, si nécessaire.
- Suivre les étapes indiquées en « Essais quotidiens obligatoires » avant de recommencer le travail.

#### Réinitialisation du percuteur

Quand un clou est coincé ou la batterie est faible, il sera impossible de réinitialiser le percuteur.

Pour réinitialiser le percuteur,

- Retirer le bloc-piles.
- AVERTISSEMENT!** Toujours diriger l'outil loin de vous et d'autres lors de l'installation ou l'enlèvement des agrafes. Ne pas procéder de la sorte peut entraîner des blessures.
- Retirer la bande d'agrafe du magasin.
- Vérifier que le percuteur a une position correcte. S'il n'est pas nécessaire de réinitialiser le percuteur, consulter les étapes pour libérer un clou coincé.
- Pour réinitialiser le percuteur, installer le bloc-piles.
- Ouvrir le chasse clou (pour outrepasser l'indicateur de recharge) et appuyer le dispositif de contact de la pièce contre une pièce à clouer. Elle doit se déplacer en douceur.
- Appuyer sur la gâchette.
- Le percuteur se rétractera.
- Suivre les étapes indiquées en « Essais quotidiens obligatoires » avant de recommencer le travail.

#### TESTS OBLIGATOIRES AU QUOTIDIEN

**AVERTISSEMENT** Pour réduire les risques de blessures à vous-même et aux autres, tester l'outil avant de commencer à travailler chaque jour ou si l'outil est tombé, a reçu un choc violent ou a été écrasé, etc. Complétez la liste de vérification suivante **DANS L'ORDRE**. Si l'outil ne fonctionne pas normalement, communiquer immédiatement avec un centre de service MILWAUKEE.

- Ne jamais pointer l'outil vers soi ni vers quiconque.
- Retirer le bloc-piles

2. **AVERTISSEMENT!** Ne jamais pointer l'outil ni vers soi, ni vers d'autres personnes lors de l'installation des agrafes. Ne pas procéder de la sorte peut entraîner des blessures.

3. Vérifier tous les boulons, écrous, vis et goupilles de l'outil. Toutes les agrafes desserrées doivent être serrées.

4. Ouvrir le chasse clou (pour outrepasser l'indicateur de recharge) et appuyer le dispositif de contact de la pièce contre une pièce à clouer. Elle doit se déplacer en douceur.

5. Une fois que le dispositif de contact de la pièce est appuyé contre la pièce à clouer, tirer sur la gâchette. Elle doit se déplacer en douceur.

6. Insérer le bloc-piles.

7. Sélectionne l'opération de déclenchement par séquence unique.

Sans tirer sur la gâchette, ouvrir le chasse clou (pour outrepasser l'indicateur de recharge) et appuyer le dispositif de contact de la pièce contre une pièce à clouer. L'outil ne doit pas fonctionner. En tenant le dispositif de contact de la pièce éloigné de la pièce à clouer, ouvrir le chasse clou (pour outrepasser l'indicateur de recharge). Tirer sur la gâchette et la maintenir enfoncée pendant 5 secondes. L'outil ne doit pas fonctionner.

Continuer à tirer la gâchette et à la maintenir enfoncée, puis pousser le dispositif de contact de la pièce contre une pièce à clouer. L'outil ne doit pas fonctionner.

Sans tirer sur la gâchette, ouvrir le chasse clou (pour outrepasser l'indicateur de recharge) et appuyer le dispositif de contact de la pièce contre une pièce à clouer. Appuyez sur la gâchette. L'outil doit fonctionner.

Relâcher la gâchette. L'entraînement doit avancer.

8. Sélectionner l'opération de déclenchement par contact.

En tenant le dispositif de contact de la pièce éloigné de la pièce à clouer, ouvrir le chasse clou (pour outrepasser l'indicateur de recharge) et tirer sur la gâchette. L'outil ne doit pas fonctionner. Continuer à tirer la gâchette et à la maintenir enfoncée, puis pousser le dispositif de contact de la pièce contre une pièce à clouer. L'outil doit fonctionner.

9. Si tous les tests précédents fonctionnent correctement, ajuster l'outil pour votre travail. Sélectionner l'opération et charger les bandes d'agrafes.

10. Définir la profondeur d'enfoncement conformément à la section « Définition de la profondeur d'enfoncement ».

11. Si tous les tests fonctionnent correctement, l'outil est prêt à être utilisé. Répéter ces tests tous les jours avant l'utilisation ou si l'outil est tombé, a reçu un choc violent ou a été écrasé, bloqué, etc.

## ENTRETIEN

**AVERTISSEMENT** Pour minimiser les risques de blessures corporelles, débranchez le chargeur et retirez la batterie du chargeur ou de l'outil avant d'y effectuer des travaux d'entretien. Ne démontez jamais l'outil, la batterie ou le chargeur. Pour toute réparation, consultez un centre de service MILWAUKEE accrédité.

### Entretien de l'outil

Gardez l'outil en bon état en adoptant un programme d'entretien ponctuel. Inspectez votre outil pour des

questions telles que le bruit excessif, de grippage des pièces mobiles, de pièces cassées ou toute autre condition qui peut affecter le fonctionnement de l'outil. Retournez votre outil à un centre de service MILWAUKEE accrédité pour obtenir le service. Après une période pouvant aller de 6 mois à un an, selon l'usage, retournez votre outil à un centre de service MILWAUKEE accrédité pour d'inspection.

**AVERTISSEMENT** Pour minimiser les risques de blessures ou de dommages à l'outil, n'immergez jamais l'outil, la batterie ou le chargeur et ne laissez pas de liquide s'y infiltrer.

### Nettoyage

Débarrassez les événements des débris et de la poussière. Gardez les poignées propres, à sec et exemptes d'huile ou de graisse. Le nettoyage doit se faire avec un linge humide et un savon doux. Certains nettoyeurs tels l'essence, la térebenthine, les diluants à laque ou à peinture, les solvants chlorés, l'ammoniaque et les détergents d'usage domestique qui en contiennent pourraient détériorer le plastique et l'isolation des pièces. Ne laissez jamais de solvants inflammables ou combustibles auprès des outils.

### Réparations

Pour les réparations, retournez l'outil, batterie et chargeur en entier au centre-service autorisé le plus près.

## ACCESOIRES

**AVERTISSEMENT** L'utilisation d'autres accessoires que ceux qui sont spécifiquement recommandés pour cet outil peut comporter des risques.

Pour une liste complète des accessoires, visiter le site internet [www.milwaukeetool.com](http://www.milwaukeetool.com) ou contactez un distributeur.

## SERVICE - CANADA

**Milwaukee Tool (Canada) Ltd**  
**1.800.268.4015**

Monday-Friday, 7:00 AM - 4:30 PM CST  
[www.milwaukeetool.ca](http://www.milwaukeetool.ca)

## GARANTIE LIMITÉE - AUX ÉTATS-UNIS ET AU CANADA

Chaque outil électrique\* MILWAUKEE (voir exceptions ci-dessous) est garanti à l'acheteur d'origine uniquement pour être exempt de vices de matériaux et de fabrication. Sous réserve de certaines exceptions, MILWAUKEE réparera ou remplacera toute pièce d'un outil électrique qui, après examen par MILWAUKEE, s'est avérée être affectée d'un vice de matériau ou de fabrication et ce pendant une période de cinq (5) ans\*\* à compter de la date d'achat, sauf indication contraire. Retourner l'outil électrique à un centre de réparation en usine MILWAUKEE ou à un poste d'entretien agréé MILWAUKEE, en port prépayé et assuré. Une copie de la preuve d'achat doit être présentée lors du retour du produit. Cette garantie ne couvre pas les dommages que MILWAUKEE détermine être causés par des réparations ou des tentatives de réparation par quiconque autre que le personnel agréé par MILWAUKEE, ou par des utilisations incorrectes, des altérations, des utilisations abusives, une usure normale, une carence d'entretien ou des accidents.

Usure normale : Plusieurs outils électriques requièrent un remplacement et un entretien périodique de leurs pièces pour un meilleur rendement. Cette garantie ne couvre pas la réparation des pièces due à l'utilisation normale de l'outil, y compris, mais sans s'y limiter, les mandrins, les broches, les cordes, les sabots de scie, les portelames, les joints toriques, les joints, les amortisseurs, les lames d'entraînement, les pistons, les perceurs, les crochets et les rondelles à couvercle amortisseur.

\* Cette garantie ne s'applique pas aux cloueuses-agrafeuses pneumatiques, aux pulvérisateurs à peinture sans air, aux blocs-piles pour outils sans fil, aux génératrices d'alimentation portatives à essence, aux outils à main, aux monte-charges - électriques, à levier et à chaîne, aux vestes chauffantes M12™, aux produits ré-usinés, ni aux produits d'essai et de mesure. Il existe des garanties séparées distinctes pour ces produits.

\*\*La période de garantie applicable pour les radios de chantier, le port d'alimentation M12™, la source électrique M18™, le ventilateur de chantier et les chariots de travail industriels Trade Titan™ est d'une durée d'un (1) an à compter de la date d'achat. La période de garantie pour les M18 FUEL™ 1" chocs à couple élevé à poignée en « D », câbles de nettoyage des drains, les accessoires de pistolet à air de vidange AIRSNAKE™ et les niveaux laser USB REDLITHIUM® est de deux (2) ans à compter de la date d'achat. La période de garantie pour le pistolet thermique compact M18™, Dépoussiéreur de 8 gallons, M18™ cloquées à ossature, M18 FUEL™ 1/2" clé à chocs de enclume prolongé, couple contrôlé avec ONE-KEY™, M18 FUEL™ 1" clé à chocs de couple élevé avec ONE-KEY™ et M18 FUEL™ compresseur silencieux compact de 7,6 L, et les niveaux laser M12™ est de trois (3) ans à compter de la date d'achat. La période de garantie couvrant la DEL de la lampe de travail à DEL et l'ampoule améliorée à DEL de la lampe de travail est une garantie à vie du produit soumise aux limitations ci-dessus. En cas de défaillance de la DEL ou de l'ampoule à DEL pendant son utilisation normale, la pièce défectueuse sera remplacée gratuitement.

L'enregistrement de la garantie n'est pas nécessaire pour bénéficier de la garantie en vigueur sur un outil électrique MILWAUKEE. La date de fabrication du produit servira à établir la période de garantie, si aucune preuve d'achat n'est fournie lorsqu'une demande de service sous garantie est déposée.

**L'ACCEPTATION DES RECOURS EXCLUSIFS DE RÉPARATION ET DE REMPLACEMENT DÉCRITS DANS LES PRÉSENTS EST UNE CONDITION DU CONTRAT D'ACHAT DE TOUT PRODUIT MILWAUKEE. SI VOUS N'ACCEPTÉZ PAS CETTE CONDITION, VOUS NE DEVEZ PAS ACHETER LE PRODUIT. EN AUCUN CAS, MILWAUKEE NE SAURAIT ÊTRE RESPONSABLE DE TOUT DOMMAGE ACCESSOIRE, SPÉCIAL OU INDIRECT, DE DOMMAGES INTÉRÊTS PUNITIFS OU DE TOUTE DÉPENSE, D'HONORAIRES D'AVOCAT, DE FRAIS, DE PERTE OU DE DÉLAIS ACCESSOIRES À TOUT DOMMAGE, DÉFAILLANCE OU DÉFAUT DE TOUT PRODUIT, Y COMPRIS NOTAMMENT LES PERTES DE PROFIT. CERTAINS ÉTATS ET PROVINCES NE PERMETTANT L'EXCLUSION OU LA LIMITATION DES DOMMAGES DIRECTS OU INDIRECTS, LES RESTRICTIONS CI-DESSUS PEUVENT NE PAS VOUS ÊTRE APPLICABLES. CETTE GARANTIE EST EXCLUSIVE ET REMPLACE TOUTE AUTRE GARANTIE EXPRESSE, QU'ELLE SOIT VERBALE OU ÉCRITE. DANS LA MESURE PERMISE PAR LA LOI, MILWAUKEE RENONCE À TOUTE GARANTIE IMPLICITE, Y COMPRIS, MAIS SANS S'Y LIMITER, TOUTE GARANTIE IMPLICITE DE QUALITÉ MARCHANDE OU D'ADAPTATION À UNE UTILISATION OU À UNE FIN PARTICULIÈRE, DANS LA MESURE OU UNE TELLE STIPULATION D'EXONÉRATION N'EST PAS PERMISE PAR LA LOI, LA DURÉE DE CES GARANTIES IMPLICITES EST LIMITÉE À LA PÉRIODE APPLICABLE DE LA GARANTIE EXPRESSE, TEL QUE CELA EST DÉCRIT PRÉCÉDEMMENT. CERTAINS ÉTATS ET PROVINCES NE PERMETTANT PAS DE LIMITATION DE DURÉE DES GARANTIES IMPLICITES, LES RESTRICTIONS CI-DESSUS PEUVENT DONC NE PAS VOUS ÊTRE APPLICABLES. LA PRÉSENTE VOUS CONFÈRE DES DROITS LÉGAUX PARTICULIERS; VOUS BÉNÉFICIEZ ÉGALEMENT D'AUTRES DROITS QUI VARIENT D'UN ÉTAT À UN AUTRE.**

Cette garantie s'applique aux produits vendus aux États-Unis et au Canada uniquement.

Veuillez consulter la rubrique Centre SAV Milwaukee, dans la section Pièces et Services du site Web de MILWAUKEE, à l'adresse [www.milwaukeeool.com](http://www.milwaukeeool.com), ou composer le 1-800-SAWDUST (1-800-729-3878) afin de trouver le centre de service de votre région le plus proche pour l'entretien, sous garantie ou non, de votre outil électrique Milwaukee.

- **No utilice herramientas eléctricas en atmósferas explosivas, tales como en presencia de líquidos, gases o polvos inflamables.** Las herramientas eléctricas generan chispas que pueden encender el polvo o los vapores.
- **Mantenga a los niños y a los espectadores alejados mientras utiliza una herramienta eléctrica.** Las distracciones pueden ocasionar la pérdida de control.

## SEGURIDAD ELÉCTRICA

- **Los enchufes de la herramienta eléctrica deben coincidir con el tomacorriente. Nunca modifique el enchufe de ninguna manera. No utilice adaptadores de enchufe con herramientas eléctricas aterrizadas.** Los enchufes y tomacorrientes correspondientes sin modificar reducirán el riesgo de descarga eléctrica.
- **Evite el contacto corporal con superficies aterrizadas, tales como tuberías, radiadores, estufas y refrigeradores.** Existe un riesgo mayor de descarga eléctrica si su cuerpo está aterrizado.
- **No exponga las herramientas eléctricas a la lluvia ni a condiciones húmedas.** Si se introduce agua en una herramienta eléctrica, aumentará el riesgo de descarga eléctrica.
- **No maltrate el cable. Nunca utilice el cable para cargar, jalar o desconectar la herramienta eléctrica.** Mantenga el cable alejado del calor, el aceite, los bordes afilados o las partes en movimiento. Los cables dañados o enredados aumentan el riesgo de descarga eléctrica.
- **Al utilizar una herramienta eléctrica en exteriores, utilice una extensión adecuada para uso en exteriores.** El uso de una extensión adecuada para el uso en exteriores disminuye el riesgo de descarga eléctrica.
- **Si es inevitable utilizar una herramienta eléctrica en un lugar húmedo, utilice un alimentador de corriente protegido con un interruptor de circuito por falla de conexión a tierra (GFCI).** El uso de un GFCI reduce el riesgo de descarga eléctrica.

## SEGURIDAD PERSONAL

- **Manténgase alerta, atento a lo que está haciendo y utilice el sentido común al utilizar una herramienta eléctrica. No utilice una herramienta eléctrica mientras está cansado o bajo la influencia de drogas, alcohol o medicamentos.** Un momento de distracción al utilizar herramientas eléctricas puede ocasionar lesiones personales graves.
- **Utilice equipo de protección personal. Siempre use protección para los ojos.** El equipo de protección, tal como una máscara contra polvo, calzado antideslizante, casco o protección auditiva, utilizado para condiciones adecuadas disminuirá las lesiones personales.
- **Evite el arranque accidental. Asegúrese de que el interruptor esté en la posición de apagado antes de conectarlo a una fuente de poder y/o batería, levantar o trasladar la herramienta.** Trasladar herramientas con el dedo en el interruptor o energizar herramientas eléctricas que tienen el interruptor encendido propicia accidentes.
- **Retire cualquier llave de ajuste antes de entender la herramienta.** Una llave que se deje insertada en una parte giratoria de la herramienta eléctrica puede ocasionar lesiones personales.
- **No estire el cuerpo demasiado. Mantenga un buen contacto entre los pies y el suelo y mantenga el equilibrio en todo momento.** Esto permite un mejor control de la herramienta eléctrica en situaciones inesperadas.
- **Vístase adecuadamente. No utilice ropa o joyería holgada.** Mantenga el cabello y la ropa alejados de las partes móviles. La ropa holgada, las alhajas o el cabello largo pueden quedarse atrapados en las partes móviles.
- **Si se proporcionan dispositivos para la conexión de**

## ADVERTENCIAS DE SEGURIDAD GENERALES PARA LA HERRAMIENTA ELÉCTRICA

**⚠ ADVERTENCIA** Lea todas las advertencias de seguridad, instrucciones, ilustraciones y especificaciones con esta herramienta eléctrica. Si no sigue todas las advertencias e instrucciones, se pueden provocar una descarga eléctrica, un incendio o lesiones graves. Guarde todas las advertencias e instrucciones para consultarlas en el futuro. El término "herramienta eléctrica" en todas las advertencias incluidas más abajo se refiere a su herramienta operada por conexión (cable) a la red eléctrica o por medio de una batería (inalámbrica).

## SEGURIDAD EN EL ÁREA DE TRABAJO

- **Mantenga el área de trabajo limpia y bien iluminada.** Las áreas desordenadas u oscuras son propicias para los accidentes.

instalaciones de extracción y recolección de polvo, cerciérse de que estén conectados y se utilicen correctamente. El uso de dispositivos recolectores de polvo puede disminuir los riesgos relacionados con el polvo.

- **No permita que la familiaridad por el uso frecuente de las herramientas lo hagan sentirse seguro e ignorar los principios de seguridad de las herramientas.** Un descuido puede provocar lesiones graves en una fracción de segundo.

## USO Y CUIDADO DE LAS HERRAMIENTAS ELÉCTRICAS

- **No fuerce la herramienta eléctrica. Utilice la herramienta eléctrica correcta para su aplicación.** La herramienta eléctrica correcta realizará el trabajo mejor y con mayor seguridad a la velocidad para la que fue diseñada.
- **No utilice la herramienta eléctrica si el interruptor no la enciende y la apaga.** Cualquier herramienta eléctrica que no pueda controlarse con el interruptor es peligrosa y debe repararse.
- **Desconecte el enchufe de la fuente de energía y/o quite la batería de la herramienta eléctrica, si es posible, antes de realizar cualquier ajuste, cambiar accesorios o almacenar las herramientas eléctricas.** Tales medidas preventivas de seguridad disminuyen el riesgo de que la herramienta eléctrica se encienda accidentalmente.
- **Almacene las herramientas eléctricas que no se estén utilizando fuera del alcance de los niños y no permita que personas que no estén familiarizadas con la herramienta eléctrica o con estas instrucciones la utilicen.** Las herramientas eléctricas son peligrosas en manos de usuarios sin capacitación.
- **Dé mantenimiento a las herramientas eléctricas y accesorios.** Verifique que no haya desalineación, amarre de partes móviles, partes rotas o alguna otra condición que pueda afectar el funcionamiento de la herramienta eléctrica. Si se daña, asegúrese de que la herramienta eléctrica sea reparada antes de que se utilice. Muchos accidentes son ocasionados por herramientas eléctricas con mantenimiento deficiente.
- **Mantenga las herramientas de corte afiladas y limpias.** Las herramientas de corte correctamente mantenidas con bordes de corte afilados son menos propensas a atorarse y son más fáciles de controlar.
- **Utilice la herramienta eléctrica, los accesorios y las puntas, etc. de acuerdo con estas instrucciones, tomando en cuenta las condiciones de trabajo y el trabajo a realizar.** El uso de la herramienta eléctrica para operaciones diferentes a las previstas podría generar una situación peligrosa.
- **Mantenga las empuñaduras y ñas superficies de sujeción secas, limpias y libres de aceite y grasa.** Las empuñaduras y superficies de sujeción resbalosas no permiten el manejo y control seguros de la herramienta en situaciones inesperadas.

## USO Y CUIDADO DE LAS HERRAMIENTAS CON BATERÍA

- **Recargue únicamente con el cargador especificado por el fabricante.** Un cargador que es adecuado para un tipo de batería puede crear un riesgo de incendio si se utiliza con otra batería.
- **Utilice las herramientas eléctricas únicamente con baterías específicamente diseñadas.** El uso de cualquier otra batería puede producir un riesgo de lesiones e incendio.
- **Cuando la batería no esté en uso, manténgala alejada de otros objetos metálicos como sujetapapeles, monedas, llaves, clavos, tornillos u otros objetos metálicos pequeños que puedan formar una conexión de una terminal a otra.** Crear un corto entre las terminales

de la batería puede ocasionar quemaduras o un incendio.

- **Bajo condiciones de maltrato, el líquido puede ser expulsado de la batería, evite el contacto.** En caso de contacto accidental, lave con agua. Si el líquido entra en contacto con los ojos, busque además ayuda médica. El líquido expulsado de la batería puede causar irritación o quemaduras.
- **No use una batería o herramienta que se haya dañado o modificado.** Las baterías dañadas o modificadas pueden mostrar un comportamiento impredecible, causando incendios, explosión o riesgo de lesión.
- **No exponga una batería o herramienta al fuego o a temperatura excesiva.** La exposición a fuego o temperatura a más de 130° C (265° F) puede causar explosiones.
- **Siga todas las instrucciones de carga y no cargue la batería o la herramienta fuera del rango de temperatura especificado en las instrucciones.** La carga incorrecta o a temperaturas fuera del rango especificado puede dañar la batería y aumentar el riesgo de incendio.

## MANTENIMIENTO

- **Lleve su herramienta eléctrica a servicio con un técnico calificado que use únicamente piezas de reemplazo idénticas.** Esto asegurará que la seguridad de la herramienta eléctrica se mantenga.
- **Nunca dé servicio a baterías dañadas.** Únicamente el fabricante o proveedores de servicio autorizados deben dar servicio a las baterías.

## REGLAS ESPECIFICAS DE SEGURIDAD PARA CLAVADORAS DE ACABADOS

- **Siempre asuma que la herramienta contiene sujetadores.** El manejo imprudente de la clavadora puede ocasionar el disparo inesperado de sujetadores y lesiones personales.
- **No apunte la herramienta hacia usted o alguien cercano.** Si se oprime el gatillo de forma inesperada se descargará el sujetador, ocasionando una lesión.
- **No accione la herramienta a menos que esté colocada firmemente contra la pieza de trabajo.** Si la herramienta no está en contacto con la pieza de trabajo, el sujetador puede desviarse en dirección opuesta al objetivo.
- **Desconecte la herramienta de la fuente de alimentación cuando el sujetador se atasque en la herramienta.** Al retirar un sujetador atascado, la clavadora puede activarse accidentalmente si está conectada.
- **Tenga cuidado al retirar el sujetador atascado.** El mecanismo puede estar bajo compresión y el sujetador puede ser descargado con fuerza mientras intenta liberar una condición de atasco.
- **No use esta clavadora para sujetar cables eléctricos.** No está diseñada para la instalación de cables eléctricos y puede dañar el aislamiento de los mismos, ocasionando descarga eléctrica o riesgos de incendio.
- **Antes de cada uso, revise el contacto con la pieza de trabajo y el gatillo para la correcta operación.** No desensamble ni pinche partes del contacto de la pieza de trabajo, el gatillo o el mecanismo impulsor. Esto provocará el accionamiento inesperado, causando lesiones graves.
- **No participe en juegos bruscos.** Los sujetadores descargados son proyectiles capaces de causar lesiones graves.
- **No quite, modifique ni cause de otro modo que los controles de la herramienta dejen de funcionar.** Esto provocará el accionamiento inesperado, causando lesiones graves.
- **No haga funcionar la herramienta si alguna porción de los controles de operación de la herramienta es inoperable, está desconectada, alterada o no funciona correctamente.** Esto provocará el accionamiento inesperado, causando lesiones graves.

• **Siempre mantenga las manos y el cuerpo alejados del área de descarga de la herramienta.** Nunca intente despejar una pieza de trabajo atascada sujetando el área de descarga de la herramienta. Los sujetadores descargados desde la herramienta pueden causar lesiones graves si entran en contacto con las manos o el cuerpo.

• **No ponga sujetadores cerca del borde de la pieza de trabajo.** Los sujetadores pueden deslizarse hacia fuera de esquinas y bordes o penetrar a través de material delgado, lo que los convierte en proyectiles capaces de causar lesiones graves.

• **Use la herramienta solamente para el objetivo previsto.** No maltrate la herramienta. No la utilice como martillo, no selle ni grabe información sobre las piezas, no deje caer ni golpee la herramienta, ni aplique ningún tipo de fuerza excesiva a la misma. No monte la herramienta en bases ni la modifique para uso estacionario.

• **Válgase siempre de su sentido común y sea cuidadoso cuando utilice herramientas.** No es posible anticipar todas las situaciones que podrían tener un desenlace peligroso. No utilice esta herramienta si no entiende estas instrucciones de uso o si considera que el trabajo a realizar supera sus capacidades, comuníquese con Milwaukee Tool o con un profesional capacitado para recibir capacitación o información adicional.

• **Conserve las etiquetas y las placas nominales.** Contienen información importante. Si son ilegibles o no están presentes, comuníquese con un centro de servicio MILWAUKEE para obtener un reemplazo gratuito.

• **ADVERTENCIA** Algunos polvos generados por el lijado eléctrico, aserrado, pulido, taladrado y otras actividades de construcción contienen químicos identificados como causantes de cáncer, defectos congénitos u otros daños reproductivos. Algunos ejemplos de estos químicos son:

- plomo de pintura basada en plomo
  - dióxido de silicio de los ladrillos y el cemento y otros productos de albañilería y
  - arsénico y cromo de madera con tratamiento químico.
- Su riesgo por estas exposiciones varía, dependiendo de la frecuencia con que realice este tipo de trabajo. Para reducir su exposición a estos químicos: trabaje en un área bien ventilada y trabaje con equipo de seguridad aprobado, como mascarillas protectoras contra polvo especialmente diseñadas para filtrar partículas microscópicas.

## SIMBOLOGÍA



Volts



Corriente continua



Actuación secuencial única



Contacto (Bump) Actuación



Lea el manual del operador



Use protección para los ojos



No acerque las manos

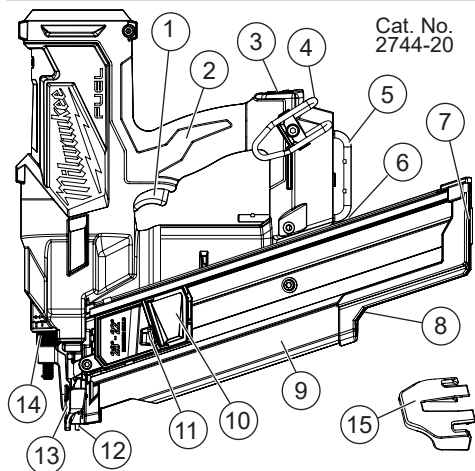


UL Listing Mark para Canadá y Estados Unidos

## ESPECIFICACIONES

Volts.....	18 CD
Tipo de batería .....	M18™
Tipo de cargador .....	M18™
<b>Cat. No.</b> .....	<b>2744-20</b>
Ángulo de unión.....	21°
Longitud del sujetador .....	50,8 mm a 88,9 mm (2" - 3-1/2")
Tamaño del sujetador (diámetro).....	2,8 mm - 3,7 mm (0,113" - 0,148")
Capacidad del cartucho.....	43 clavos
<b>Cat. No.</b> .....	<b>2745-20</b>
Ángulo de unión.....	30°
Longitud del sujetador .....	50,8 mm a 88,9 mm (2" - 3-1/2")
Tamaño del sujetador (diámetro).....	2,8 mm - 3,3 mm (0,113" - 0,131")
Capacidad del cartucho.....	51 clavos
Temperatura ambiente recomendada para operar .....	-18°C a 50°C (0°F a 125°F)

## DESCRIPCION FUNCIONAL



Cat. No.  
2744-20

- |  |                                       |
|--|---------------------------------------|
| 1. Gatillo                               | 9. Cargador                           |
| 2. Empuñadura                            | 10. Empujador                         |
| 3. Selección de encendido/ accionamiento | 11. Botón del liberador del empujador |
| 4. Gancho para cinturón                  | 12. Contacto de la pieza de trabajo   |
| 5. Gancho para viga                      | 13. Contacto pieza soporte            |
| 6. Llave hexagonal                       | 14. Ajuste de profundidad             |
| 7. Ranura para clavos                    | 15. Almohadilla de protección         |
| 8. Luz LED                               |                                       |

## ENSAMBLAJE

• **ADVERTENCIA** Recargue únicamente con el cargador especificado para la batería. Para instrucciones específicas de carga, lea el manual del operador suministrado con su cargador y su batería.

### Extracción/inserción de la batería

Para extraer la batería, presione los botones de liberación y jale la batería para sacarla de la herramienta.



**⚠ ADVERTENCIA** Siempre extraiga la batería antes de cambiar o quitar accesorios.

Para insertar la batería, deslícela dentro del cuerpo de la herramienta. Asegúrese de que encaje firmemente.

### Colocando la almohadilla No-Mar

La almohadilla No-Mar en la punta de la herramienta protege la pieza de trabajo cuando el contacto de la pieza se comprime durante el accionamiento.

1. Retire la batería.
2. Coloque la almohadilla No-Mar en su lugar sobre los puntos del soporte de contacto de la pieza.
3. Tire de la almohadilla No-Mar para asegurarse de que esté bien sujeta.
4. Para quitar la almohadilla, tire de la almohadilla hacia afuera del soporte de contacto de la pieza de trabajo.

### Instalación/extracción de tiras de sujetadores

**⚠ ADVERTENCIA** Siempre extraiga la batería antes de cambiar o quitar los sujetadores. Siempre use lentes o gafas de seguridad con protectores laterales.

Mantenga los dedos libres del canal de sujetadores del cartucho. El empujador podría pellizcar los dedos, causando lesiones.

Para instalar las tiras de sujetadores:

1. Extraiga la batería.
2. **⚠ ADVERTENCIA!** Siempre apunte la herramienta lejos de usted y otros durante la instalación de sujetadores. De no hacerlo, podrían producirse lesiones.
3. Deslice las tiras de sujetadores en la ranura de clavos y abajo hacia el frente de la herramienta. Asegúrese de que la punta de los sujetadores esté hacia abajo. **⚠ ADVERTENCIA!** Use únicamente sujetadores recomendados del tamaño, longitud, ángulo de intercalado y tipo de cabeza correctos, como se indica en la placa nominal de la herramienta. Otros sujetadores podrían provocar un mal funcionamiento de la herramienta, provocando lesiones.
4. Presione sin soltar el botón de liberación del empujador y deslice el empujador hacia atrás, más allá del final de las tiras de sujetadores.
5. Siga sosteniendo el empujador, pero suelte el botón. Lentamente deslice el empujador hacia adelante hasta que se apoye contra la tira de sujetadores.

Para extraer las tiras de sujetadores:

1. Extraiga la batería.
2. **⚠ ADVERTENCIA!** Siempre apunte la herramienta lejos de usted y otros durante la instalación de sujetadores. De no hacerlo, podrían producirse lesiones.
3. Presione sin soltar el botón de liberación del empujador y deslice el empujador hacia la nariz de la herramienta. Suelte el empujador.
4. Deslice los clavos hacia atrás y sáquelos de la ranura de clavos.

## OPERACION

**⚠ ADVERTENCIA** Para reducir el riesgo de lesiones, siempre utilice gafas o lentes de seguridad con protectores laterales. El operador y otras personas que se encuentren en el área de trabajo deben usar protección ocular de conformidad con ANSI Z87.1. La protección ocular no les queda de la misma manera a todos los operadores. Asegúrese de que se elija protección ocular que tenga protectores laterales o que ofrezca protección contra desechos voladores tanto del frente como de los costados. El empleador es responsable de hacer obligatorio el uso de protección ocular por parte del operador y otras personas en el área de trabajo. Cuando se requiera, use protección para la cabeza de acuerdo con ANSI Z89.1.

Para disminuir el riesgo de lesiones para usted y para los demás, pruebe la herramienta antes de comenzar a trabajar cada día de acuerdo con la sección "Pruebas diarias requeridas".

No utilice la herramienta si no entiende a fondo el modo de accionamiento seleccionado.


Extraiga la batería y los sujetadores antes de abandonar el área de trabajo, moviendo la herramienta a otro lugar o entregándosela a otra persona. De no hacerlo, podrían producirse lesiones graves.

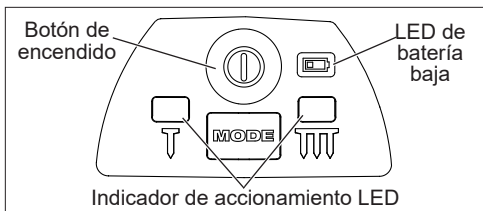
No use esta herramienta para sujetar cables eléctricos. No está diseñada para la instalación de cables eléctricos y puede dañar el aislamiento de los cables eléctricos, ocasionando descarga eléctrica o riesgos de incendio.

**NUNCA** calce ni frene el mecanismo de contacto de la pieza de trabajo durante el funcionamiento de la herramienta. Nunca intente despejar una pieza de trabajo atascada sujetando el área de descarga de la herramienta. Hacerlo podría causar lesiones graves.

Para evitar lesiones graves, no trate de evitar el contragolpe sosteniendo la herramienta demasiado firmemente contra la pieza de trabajo. Mantenga la cara y el cuerpo alejados de la herramienta. Durante el uso normal, la herramienta producirá un contragolpe inmediatamente después de clavar un sujetador. Esta es una función normal de la herramienta. La restricción del contragolpe puede ocasionar que un segundo clavo se inserte cuando la herramienta esté en modo de Accionamiento por contacto. Sujete la empuñadura con firmeza, deje que la herramienta haga el trabajo y no coloque una segunda mano en la parte superior de la herramienta.

### Encendido/selección de accionamiento

1. Instale la batería.
2. Presione sin soltar el botón  de Encendido/Accionamiento para encender la herramienta. La luz LED de batería baja indica cuando el nivel de la batería no tiene carga suficiente para operar la herramienta.



3. Pulse el botón de Encendido/Accionamiento de nuevo para alternar entre el modo de accionamiento secuencial sencillo y de contacto (golpe). **ADVERTENCIA!** Comprenda el proceso de accionamiento antes de usarlo.

#### Accionamiento secuencial sencillo -

**Luz constante** - El contacto de la pieza de trabajo y luego el gatillo deben accionarse en una secuencia específica para insertar un sujetador.

#### Accionamiento por contacto (golpe) -

**Luz parpadeante** - El contacto de la pieza de trabajo y el gatillo pueden activarse en cualquier secuencia para insertar un sujetador.

4. Presione sin soltar el botón de Encendido/Accionamiento para apagar la herramienta.

### Operación de accionamiento secuencial sencillo

1. Sujete la empuñadura firmemente.
2. Empuje la herramienta contra la superficie de trabajo, comprimiendo el contacto de la pieza de trabajo.
3. Jale el gatillo para clavar el sujetador. **ADVERTENCIA!** Para evitar lesiones graves, no trate de evitar el contragolpe sosteniendo la herramienta demasiado firmemente contra la pieza de trabajo.
4. Quite el dedo del gatillo y retire la herramienta de la pieza de trabajo.

### Operación de accionamiento por contacto (golpe)

El accionamiento por contacto puede seguir dos secuencias diferentes, dependiendo de su uso.

#### Accionamientos múltiples:

1. Sujete la empuñadura firmemente.
2. Jale sin soltar el gatillo.
3. Presione la herramienta contra la superficie de trabajo, comprimiendo el contacto de la pieza de trabajo para insertar el sujetador. **ADVERTENCIA!** Para evitar lesiones graves, no trate de evitar el contragolpe sosteniendo la herramienta demasiado firmemente contra la pieza de trabajo.
4. Siga apretando el gatillo y repita el contacto con la pieza de trabajo.

#### Accionamiento sencillo:

1. Sujete la empuñadura firmemente.
2. Empuje la herramienta contra la superficie de trabajo, comprimiendo el contacto de la pieza de trabajo.
3. Jale el gatillo para clavar el sujetador. **ADVERTENCIA!** Para evitar lesiones graves, no trate de evitar el contragolpe sosteniendo la herramienta demasiado firmemente contra la pieza de trabajo.
4. Quite el dedo del gatillo y retire la herramienta de la pieza de trabajo.

### Sobrecarga térmica

Si la herramienta se sobrecalienta, dejará de funcionar y parpadeará el botón de encendido/indicadores de accionamiento. Cuando se enfríe la herramienta se revertirá al modo seleccionado. Reinicie el trabajo como siempre.

### Indicador de recarga

Para indicar que el cartucho está casi vacío de sujetadores (quedan aproximadamente 4 o 5), el contacto de la pieza de trabajo no comprimirá, evitando la operación bajo la presión normal. Instale más sujetadores para seguir trabajando.

**ADVERTENCIA** **NUNCA** calce ni frene el mecanismo de contacto de la pieza de trabajo durante el funcionamiento de la herramienta. Nunca intente despejar una pieza de trabajo atascada sujetando el área de descarga de la herramienta. Hacerlo podría causar lesiones graves.

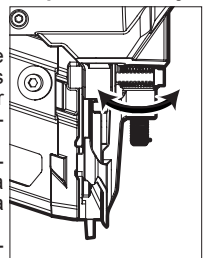
Para evitar lesiones graves, no trate de evitar el contragolpe sosteniendo la herramienta demasiado firmemente contra la pieza de trabajo. Mantenga la cara y el cuerpo alejados de la herramienta. Durante el uso normal, la herramienta producirá un contragolpe inmediatamente después de clavar un sujetador. Esta es una función normal de la herramienta. La restricción del contragolpe puede ocasionar que un segundo clavo se inserte cuando la herramienta esté en modo de Accionamiento por contacto. Sujete la empuñadura con firmeza, deje que la herramienta haga el trabajo y no coloque una segunda mano en la parte superior de la herramienta.

#### Ajuste de la profundidad de inserción

La profundidad de inserción puede ajustarse para tomar en cuenta el tamaño de los sujetadores y el material de la pieza de trabajo.

**ADVERTENCIA** Sepa qué hay detrás de su pieza de trabajo. Un sujetador podría desplazarse por la pieza de trabajo y salir por el otro lado, golpeando a un espectador y causando lesiones graves. Baje la profundidad de inserción para evitar que el sujetador sea empujado completamente a través de la pieza de trabajo.

1. Clave un sujetador de prueba.
2. Extraiga la batería.
3. **ADVERTENCIA!** Siempre apunte la herramienta lejos de usted y otros al hacer ajustes. De no hacerlo, podrían producirse lesiones.
4. Gire el selector de profundidad a la izquierda o derecha para aumentar o disminuir la profundidad de inserción.
5. Repita hasta lograr la profundidad deseada.



#### Liberar un sujetador atascado

La mayoría de los atascos suceden porque un sujetador o parte de un sujetador se acuña entre la hoja del accionador y la guía de los clavos. Las cintas sujetadoras con un ángulo de unión o el calibre de sujetador incorrectos pueden causar atascos continuos. Para liberar del atasco:

1. Extraiga la batería.
2. **ADVERTENCIA!** Siempre apunte la herramienta alejada de usted y los demás cuando instale o retire los sujetadores. El no hacerlo puede resultar en lesiones.
3. Retire la cinta sujetadora del cargador.
4. Retire el sujetador con unas pinzas de punta fina. De ser necesario, retire el cartucho de la herramienta.

5. Siga los pasos de "Pruebas diarias obligatorias" antes de volver a empezar el trabajo.

### Reestablecer el percutor

Después de que se atore un clavo o bajo una condición de batería baja, el percutor podría no reestablecerse.

Para reestablecer el percutor,

1. Extraiga la batería.
2. **¡ADVERTENCIA!** Siempre apunte la herramienta alejada de usted y los demás cuando instale o retire los sujetadores. El no hacerlo puede resultar en lesiones.
3. Retire la cinta sujetadora del cargador.
4. Revise que el percutor no tenga una posición incorrecta. Si el percutor no necesita reestablecerse, siga los pasos para retirar un clavo atorado.
5. Para restablecer el percutor, instale la batería
6. Abra el empujador de clavos (para anular el indicador de recarga) y presione el contacto de la pieza de trabajo contra una pieza de trabajo. Debe moverse suavemente.
7. Oprima el gatillo.
8. El percutor se retraerá.
9. Siga los pasos de "Pruebas diarias obligatorias" antes de volver a empezar el trabajo.

### PRUEBAS DIARIAS REQUERIDAS

**▲ADVERTENCIA** Para disminuir el riesgo de lesiones para usted y otras personas, pruebe la herramienta antes de comenzar el trabajo cada día o si la herramienta se cae, recibe un golpe brusco, ha sido arrollada por un vehículo, etc. Realice la siguiente lista de verificación EN ORDEN. Si la herramienta no funciona como debiera, póngase en contacto con un centro de servicio MILWAUKEE inmediatamente. Siempre apunte la herramienta lejos de usted y otros.

1. Extraiga la batería.
2. **ADVERTENCIA!** Siempre apunte la herramienta lejos de usted y otros durante la instalación de sujetadores. De no hacerlo, podrían producirse lesiones.
3. Revise todos los tornillos, pernos, tuercas y clavijas de la herramienta. Todos los sujetadores sueltos deben apretarse.
4. Abra el empujador de clavos (para anular el Indicador de recarga) y presione el contacto de la pieza de trabajo contra una pieza de trabajo. Debe moverse suavemente.
5. Con el contacto de la pieza de trabajo presionado contra la pieza de trabajo, jale el gatillo. Debe moverse suavemente.
6. Inserte la batería
7. Seleccione la operación de Accionamiento secuencial sencillo.

Sin jalar el gatillo, abra el empujador de clavos (para anular el Indicador de recarga) y presione el contacto de la pieza de trabajo contra una pieza de trabajo. La herramienta no debe funcionar.

Sosteniendo el contacto de la pieza de trabajo alejado de la pieza de trabajo, abra el empujador de clavos (para anular el Indicador de recarga). Jale el gatillo sin soltarlo durante 5 segundos. La herramienta no debe funcionar.

Siga jalando y sujetando el gatillo y empuje el contacto de la pieza de trabajo contra una pieza de trabajo. La herramienta no debe funcionar.

Sin jalar el gatillo, abra el empujador de clavos (para anular el Indicador de recarga) y presione el contacto de la pieza de trabajo contra una pieza de trabajo. Jale el gatillo. La herramienta debe funcionar.

Suelte el gatillo. El accionador debe moverse hacia arriba.

8. Seleccione la operación de Accionamiento por contacto.  
Sosteniendo el contacto de la pieza de trabajo alejado de la pieza de trabajo, jale hacia atrás el empujador de los sujetadores en el empujador de clavos (para anular el Indicador de recarga) y jale el gatillo. La herramienta no debe funcionar. Siga jalando y sujetando el gatillo y empuje el contacto de la pieza de trabajo contra una pieza de trabajo. La herramienta debe funcionar.
9. Si todas las pruebas anteriores funcionan correctamente, ajuste la herramienta para su trabajo. Seleccione la operación y cargue las tiras de sujetadores.
10. Ajuste la profundidad de la unidad de acuerdo a la sección "Ajuste de la profundidad de inserción".
11. Si todas las pruebas funcionan correctamente, la herramienta está lista para usarse. Repita estas pruebas antes del uso diario o si la herramienta se cae, recibe un golpe brusco, ha sido arrollada por un vehículo, se atasca, etc.

### MANTENIMIENTO

**▲ADVERTENCIA** Para reducir el riesgo de una lesión, desconecte siempre la herramienta antes de darle cualquier mantenimiento. Nunca desarme la herramienta ni trate de hacer modificaciones en el sistema eléctrico de la misma. Acuda siempre a un Centro de Servicio MILWAUKEE para TODAS las reparaciones.

#### Mantenimiento de las herramientas

Adopte un programa regular de mantenimiento y mantenga su herramienta en buenas condiciones. Inspeccione la herramienta para problemas como ruidos indebidos, desalineadas o agarradas de partes móviles, piezas rotas o cualquier otra condición que pueda afectar el funcionamiento de la herramienta. Envíe su herramienta al Centro de Servicio MILWAUKEE para reparación. Después de 6 meses a un año, dependiendo del uso dado, envíe su herramienta al Centro de Servicio MILWAUKEE más cercano para la inspección.

**▲ADVERTENCIA** Para reducir el riesgo de lesiones, descarga eléctrica o daño a la herramienta, nunca la sumerja en líquidos ni permita que estos fluyan dentro de la misma.

#### Limpeza

Limpe el polvo y suciedad de las ventilas. Mantenga los mangos limpios, secos y libres de aceite o grasa. Use solo jabón neutro y un trapo húmedo para limpiar, ya que algunos substancias y solventes limpiadores son dañinos a los plásticos y partes aislantes. Algunos de estos incluyen: gasolina, turpentina, thinner, lacas, thinner para pinturas, solventes para limpieza con cloro, amoníaco y detergentes caseros que tengan amonía. Nunca usa solventes inflamables o combustibles cerca de una herramienta.

#### Reparaciones

Si su herramienta, batería o cargador están dañados, envíela al centro de servicio autorizado más cercano.

## ACCESORIOS

**ADVERTENCIA** Utilice sólo los accesorios específicamente recomendados. Otros accesorios puede ser peligrosos.

Para una lista completa de accesorios, visite nuestro sitio en Internet: [www.milwaukeeool.com](http://www.milwaukeeool.com) o póngase en contacto con un distribuidor.

### SOPORTE DE SERVICIO - MEXICO

**CENTRO DE ATENCION A CLIENTES**  
Techtronic Industries Mexico, S.A. de C.V.

Av. Presidente Masarik 29 Piso 7  
11560 Polanco V Seccion

Miguel Hidalgo, Distrito Federal, México

01 (800) 030-7777 o (55) 4160-3540

Lunes a Viernes (9am a 6pm)

O contáctanos en [www.milwaukeeool.com.mx](http://www.milwaukeeool.com.mx)

### GARANTÍA LIMITADA - E.U.A. Y CANADÁ

Cada herramienta eléctrica\* de MILWAUKEE (ver excepciones a continuación) está garantizada para el comprador original únicamente de que no tenga material y mano de obra defectuosos. Sujeto a ciertas excepciones, MILWAUKEE reparará o reemplazará cualquier parte en una herramienta eléctrica que tenga defectos de material o mano de obra según lo determine MILWAUKEE mediante una revisión, por un periodo de cinco (5) años\*\* después de la fecha de compra a menos que se indique lo contrario. Al devolver la herramienta eléctrica a un Centro de Servicio de la fábrica de MILWAUKEE o a una Estación de Servicio Autorizada de MILWAUKEE, se requiere que el flete esté pagado por adelantado y asegurado. Se debe incluir una copia del comprobante de compra con el producto devuelto. Esta garantía no aplica a daños que MILWAUKEE determine que son ocasionados por reparaciones o intentos de reparaciones realizados por una persona que no sea personal autorizado de MILWAUKEE, uso indebido, alteraciones, maltrato, desgaste normal, falta de mantenimiento o accidentes.

**Desgaste normal:** Muchas herramientas eléctricas necesitan un reemplazo periódico de partes y servicio para lograr el mejor desempeño. Esta garantía no cubre la reparación cuando el uso normal ha agotado la vida de una parte, incluyendo sin limitar a mandriles, cepillos, cables, zapatas de la sierra, abrazaderas de la hoja, anillos en O, sellos, protectores, hojas de desatornilladores, pistones, herrajes, levatadores y arandelas de cubierta de los protectores.

\*Esta garantía no cubre clavadoras y grapadoras neumáticas, pistola de pintura a presión, baterías inalámbricas, generadores de energía portátil de gasolina, herramientas de mano, palanca y cadena de mano de polipasto - eléctricas, indumentaria calefataca M12™, producto reacondicionado y productos de prueba y medición. Existen garantías por separado y distintas disponibles para estos productos.

\*\*El periodo de garantía para los radios para obra, puerto de energía M12™, fuente de poder M18™, ventiladores para obra y carretillas de trabajo industrial Trade Titan™ es de un (1) año a partir de la fecha de compra. El periodo de garantía para los M18 FUEL™ 1" llaves de impacto de alto torque con d en empuñadura, cables de limpieza de drenaje y AIRSNAKE™ los accesorios de pistola de aire de limpieza de drenaje, y los niveles láser mediante USB REDLITHIUM® es de dos (2) años a partir de la fecha de compra. El periodo de garantía de la pistola de calor compacta M18™, Extractor de polvo de 8 galones, M18™ enmarcar clavadoras, M18 FUEL™ 1/2" yunque prolongado torque controlado llave de impacto con ONE-KEY™, M18 FUEL™ 1" llave de impacto de alto esfuerzo de torsión con ONE-KEY™, M18 FUEL™ de 7.6 L compacto compresor silencioso, y los niveles láser M12™ es de tres (3) años a partir de la fecha de compra. El periodo de garantía de las lámparas de LED en la Lámpara de trabajo LED y el Bulbo mejorado de LED para la Luz de trabajo es por la vida del producto sujeto a las limitaciones anteriores. Si durante el uso normal el LED o Bulbo de LED falla, la parte será reemplazada sin cargo.

No se requiere el registro de la garantía para obtener la garantía correspondiente a un producto de herramienta eléctrica de MILWAUKEE. La fecha de manufactura del producto se utilizará para determinar el periodo de garantía si no se proporciona comprobante de compra al solicitar el servicio en garantía.

LA ACEPTACIÓN DE LOS REMEDIOS EXCLUSIVOS DE REPARACIÓN Y REEMPLAZO AQUÍ DESCRITOS ES UNA CONDICIÓN DEL CONTRATO PARA LA COMPRA DE TODO PRODUCTO DE MILWAUKEE. SI USTED NO ACEPTA ESTA CONDICIÓN, NO DEBE

COMPRAR EL PRODUCTO. MILWAUKEE NO SERÁ RESPONSABLE EN NINGÚN CASO DE DAÑOS INCIDENTALES, ESPECIALES, EMERGENTES O PUNITIVOS NI DE NINGÚN COSTO, HONORARIOS LEGALES, GASTOS, PÉRDIDAS O DEMORAS ALEGADAS COMO CONSECUENCIA DE ALGUN DAÑO, FALLA O DEFECTO EN NINGÚN PRODUCTO, INCLUYENDO, ENTRE OTROS, RECLAMACIONES POR PÉRDIDA DE UTILIDADES. ALGUNOS ESTADOS NO PERMITEN LA EXCLUSIÓN O LIMITACIÓN DE RESPONSABILIDAD POR DAÑOS INCIDENTALES O EMERGENTES, POR LO QUE LA ANTERIOR LIMITACIÓN O EXCLUSIÓN PODRÍA NO APLICARSE EN SU CASO. ESTA GARANTÍA ES EXCLUSIVA Y REEMPLAZA TODAS LAS DEMÁS GARANTÍAS EXPRESAS, ESCRITAS U ORALES. EN LA MEDIDA EN QUE LO PERMITA LA LEY, MILWAUKEE DESCONOCE CUALQUIER GARANTÍA IMPLÍCITA, INCLUYENDO SIN LIMITACIÓN CUALQUIER GARANTÍA IMPLÍCITA DE COMERCIABILIDAD O IDONEIDAD PARA UN FIN O USO ESPECÍFICO; EN LA MEDIDA EN QUE DICHO DESCONOCIMIENTO NO SEA PERMITIDO POR LA LEY, DICHAS GARANTÍAS IMPLÍCITAS SE LIMITAN A LA DURACIÓN DE LA GARANTÍA EXPRESA CORRESPONDIENTE SEGÚN SE DESCRIBIÓ ANTERIORMENTE. ALGUNOS ESTADOS NO PERMITEN LIMITACIONES SOBRE LA DURACIÓN DE UNA GARANTÍA IMPLÍCITA, POR LO QUE LA ANTERIOR LIMITACIÓN PODRÍA NO APLICARSE A USTED. ESTA GARANTÍA LE DA DERECHOS LEGALES ESPECÍFICOS Y USTED PODRÍA ADEMÁS TENER OTROS DERECHOS QUE VARÍAN DE UN ESTADO A OTRO.

Esta garantía aplica al producto vendido en los Estados Unidos y Canadá únicamente.

Consulte la "Búsqueda de centro de servicio" en la sección de Partes y servicio del sitio web de MILWAUKEE en [www.milwaukeeool.com](http://www.milwaukeeool.com) o llame al 1.800.SAWDUST (1.800.729.3878) para localizar su centro de servicio más cercano para darle servicio con y sin garantía a una herramienta eléctrica de Milwaukee.

### PÓLIZA DE GARANTÍA - VALIDA SOLO PARA MEXICO, AMÉRICA CENTRAL Y EL CARIBE

La garantía de TECHTRONIC INDUSTRIES es por 5 años a partir de la fecha original de compra.

Esta tarjeta de garantía cubre cualquier defecto de material y mano de obra en ese Producto.

Para hacer válida esta garantía, presente esta tarjeta de garantía, cerrada/sellada por el distribuidor o la tienda donde compró el producto, al Centro de Servicio Autorizado (ASC). O, si esta tarjeta no se ha cerrado/sellado, presente la prueba original de compra a ASC. Llame 55 4160-3547 para encontrar el ASC más cercano, para servicio, partes, accesorios o componentes.

#### Procedimiento para hacer válida esta garantía

Lleve el producto a ASC, junto con la tarjeta de garantía cerrada/sellada por el distribuidor o la tienda donde compró el producto, y cualquier pieza o componente defectuoso se reemplazará sin costo para usted. Cubriremos todos los costos de flete con relación a este proceso de garantía

#### Excepciones

Esta garantía no tendrá validez en las siguientes situaciones:

- Cuando el producto se use de manera distinta a la que indica el manual del usuario final o de instrucciones.
- Cuando las condiciones de uso no sean normales.
- Cuando otras personas no autorizadas por TECHTRONIC INDUSTRIES modifiquen o reparen el producto.

**Nota:** si el juego de cables está dañado, tiene que reemplazarse en un Centro de Servicio Autorizado para evitar riesgos eléctricos.

#### CENTRO DE SERVICIO Y ATENCIÓN

Llame al 55 4160-3547

#### IMPORTADO Y COMERCIALIZADO POR

TECHTRONIC INDUSTRIES, MÉXICO, S.A. DE C.V.

Miguel de Cervantes Saavedra No.301 Piso 5, Torre Norte

11520 Colonia Ampliación Granada

Miguel Hidalgo, Ciudad de Mexico, Mexico

**Modelo:** \_\_\_\_\_

**Fecha de Compra:** \_\_\_\_\_

**Sello del Distribuidor:** \_\_\_\_\_

**MILWAUKEE TOOL**  
13135 West Lisbon Road  
Brookfield, WI 53005 USA

58140196d4  
08/20

961013898-01(A)  
Printed in China