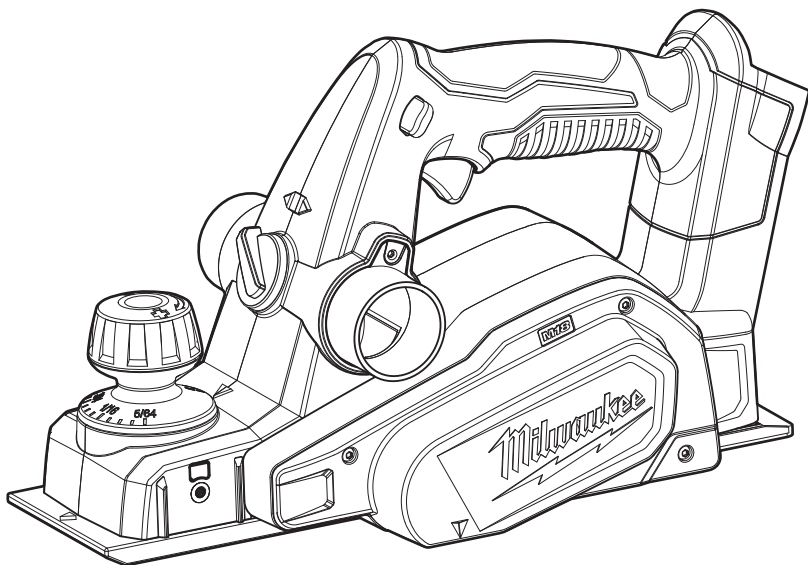




OPERATOR'S MANUAL
MANUEL de L'UTILISATEUR
MANUAL del OPERADOR



Cat. No. / No de cat.
2623-20

M18™ 3-1/4" PLANER
RABOTEUSE DE 82 mm (3-1/4") M18™
CEPILLO M18™ DE 82 mm (3-1/4")



WARNING To reduce the risk of injury, user must read and understand operator's manual.

AVERTISSEMENT Afin de réduire le risque de blessures, l'utilisateur doit lire et bien comprendre le manuel.

ADVERTENCIA Para reducir el riesgo de lesiones, el usuario debe leer y entender el manual.

GENERAL POWER TOOL SAFETY WARNINGS

WARNING Read all safety warnings, instructions, illustrations and specifications provided with this power tool. Failure to follow all instructions listed below may result in electric shock, fire and/or serious injury. **Save all warnings and instructions for future reference.** The term "power tool" in the warnings refers to your mains-operated (corded) power tool or battery-operated (cordless) power tool.

WORK AREA SAFETY

- **Keep work area clean and well lit.** Cluttered or dark areas invite accidents.
- **Do not operate power tools in explosive atmospheres, such as in the presence of flammable liquids, gases or dust.** Power tools create sparks which may ignite the dust or fumes.
- **Keep children and bystanders away while operating a power tool.** Distractions can cause you to lose control.

ELECTRICAL SAFETY

- **Power tool plugs must match the outlet. Never modify the plug in any way. Do not use any adapter plugs with earthed (grounded) power tools.** Unmodified plugs and matching outlets will reduce risk of electric shock.
- **Avoid body contact with earthed or grounded surfaces, such as pipes, radiators, ranges and refrigerators.** There is an increased risk of electric shock if your body is earthed or grounded.
- **Do not expose power tools to rain or wet conditions.** Water entering a power tool will increase the risk of electric shock.
- **Do not abuse the cord. Never use the cord for carrying, pulling or unplugging the power tool. Keep cord away from heat, oil, sharp edges or moving parts.** Damaged or entangled cords increase the risk of electric shock.
- **When operating a power tool outdoors, use an extension cord suitable for outdoor use.** Use of a cord suitable for outdoor use reduces the risk of electric shock.
- **If operating a power tool in a damp location is unavoidable, use a ground fault circuit interrupter (GFCI) protected supply.** Use of an GFCI reduces the risk of electric shock.

PERSONAL SAFETY

- **Stay alert, watch what you are doing and use common sense when operating a power tool. Do not use a power tool while you are tired or under the influence of drugs, alcohol or medication.** A moment of inattention while operating power tools may result in serious personal injury.
- **Use personal protective equipment. Always wear eye protection.** Protective equipment such as a dust mask, non-skid safety shoes, hard hat or hearing protection used for appropriate conditions will reduce personal injuries.
- **Prevent unintentional starting. Ensure the switch is in the off-position before connecting to power source and/or battery pack, picking up or carrying the tool.** Carrying power tools with your finger on the switch or energizing power tools that have the switch on invites accidents.
- **Remove any adjusting key or wrench before turning the power tool on.** A wrench or a key left attached to a rotating part of the power tool may result in personal injury.

- **Do not overreach. Keep proper footing and balance at all times.** This enables better control of the power tool in unexpected situations.
- **Dress properly. Do not wear loose clothing or jewelry. Keep your hair and clothing away from moving parts.** Loose clothes, jewelry or long hair can be caught in moving parts.
- **If devices are provided for the connection of dust extraction and collection facilities, ensure these are connected and properly used.** Use of dust collection can reduce dust-related hazards.
- **Do not let familiarity gained from frequent use of tools allow you to become complacent and ignore tool safety principles.** A careless action can cause severe injury within a fraction of a second.

POWER TOOL USE AND CARE

- **Do not force the power tool. Use the correct power tool for your application.** The correct power tool will do the job better and safer at the rate for which it was designed.
 - **Do not use the power tool if the switch does not turn it on and off.** Any power tool that cannot be controlled with the switch is dangerous and must be repaired.
 - **Disconnect the plug from the power source and/or remove the battery pack, if detachable, from the power tool before making any adjustments, changing accessories, or storing power tools.** Such preventive safety measures reduce the risk of starting the power tool accidentally.
 - **Store idle power tools out of the reach of children and do not allow persons unfamiliar with the power tool or these instructions to operate the power tool.** Power tools are dangerous in the hands of untrained users.
 - **Maintain power tools and accessories. Check for misalignment or binding of moving parts, breakage of parts and any other condition that may affect the power tool's operation. If damaged, have the power tool repaired before use.** Many accidents are caused by poorly maintained power tools.
 - **Keep cutting tools sharp and clean.** Properly maintained cutting tools with sharp cutting edges are less likely to bind and are easier to control.
 - **Use the power tool, accessories and tool bits etc. in accordance with these instructions, taking into account the working conditions and the work to be performed.** Use of the power tool for operations different from those intended could result in a hazardous situation.
 - **Keep handles and grasping surfaces dry, clean and free from oil and grease.** Slippery handles and grasping surfaces do not allow for safe handling and control of the tool in unexpected situations.
- ### BATTERY TOOL USE AND CARE
- **Recharge only with the charger specified by the manufacturer.** A charger that is suitable for one type of battery pack may create a risk of fire when used with another battery pack.
 - **Use power tools only with specifically designated battery packs.** Use of any other battery packs may create a risk of injury and fire.
 - **When battery pack is not in use, keep it away from other metal objects, like paper clips, coins, keys, nails, screws or other small metal objects, that can make a connection from one terminal to another.** Shorting the battery terminals together may cause burns or a fire.

• **Under abusive conditions, liquid may be ejected from the battery; avoid contact. If contact accidentally occurs, flush with water. If liquid contacts eyes, additionally seek medical help.** Liquid ejected from the battery may cause irritation or burns.

• **Do not use a battery pack or tool that is damaged or modified.** Damaged or modified batteries may exhibit unpredictable behavior resulting in fire, explosion or risk of injury.

• **Do not expose a battery pack or tool to fire or excessive temperature.** Exposure to fire or temperature above 265°F (130°C) may cause explosion.

• **Follow all charging instructions and do not charge the battery pack or tool outside the temperature range specified in the instructions.** Charging improperly or at temperatures outside the specified range may damage the battery and increase the risk of fire.

SERVICE

• **Have your power tool serviced by a qualified repair person using only identical replacement parts.** This will ensure that the safety of the power tool is maintained.

• **Never service damaged battery packs.** Service of battery packs should only be performed by the manufacturer or authorized service providers.

SPECIFIC SAFETY RULES FOR PLANER

Planer safety warnings:

• **Wait for the cutter to stop before setting the tool down.** An exposed rotating cutter may engage the surface leading to possible loss of control and serious injury.

• **Use clamps or another practical way to secure and support the workpiece to a stable platform.** Holding the work by your hand or against the body leaves it unstable and may lead to loss of control.

• **Inspect and remove nails from the workpiece before cutting.** Nails will damage the tool and could result in fragments of nail or blade being thrown toward the operator.

• **Use only sharp, properly paired planer blades.** Always change blades in pairs. Dull or improperly paired blades may cause binding, gouging, or loss of control, causing injury.

• **Keep hands and body away from blades. Hold tool securely with both hands. Contact with blade will result in serious injury.**

• **Blades are sharp.** Use care when changing or adjusting blades.

• **Before use, ensure blade bolts are tight and blades are properly aligned.** Run the tool to check for vibration or “wobble” that could indicate improperly installed blades.

• **Keep hands and fingers away from dust chute.** Turn off tool and remove battery pack before clearing jams.

• **Maintain labels and nameplates.** These carry important information. If unreadable or missing, contact a MILWAUKEE service facility for a free replacement.

• **AWARNING** Some dust created by power sanding, sawing, grinding, drilling, and other construction activities contains chemicals known to cause cancer, birth defects or other reproductive harm. Some examples of these chemicals are:

- lead from lead-based paint
- crystalline silica from bricks and cement and other masonry products, and

• arsenic and chromium from chemically-treated lumber.

Your risk from these exposures varies, depending on how often you do this type of work. To reduce your exposure to these chemicals: work in a well ventilated area, and work with approved safety equipment, such as those dust masks that are specially designed to filter out microscopic particles.

SYMBOLGY

V Volts

— Direct Current

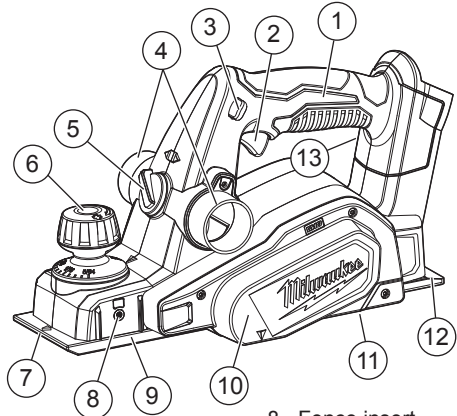
n₀ XXXX min⁻¹ No Load Revolutions per Minute (RPM)

c (UL) US UL Listing for Canada and U.S.

SPECIFICATIONS

Cat. No.	2623-20
Volts	18 DC
Battery Type	M18™
Charger Type	M18™
Recommended Ambient Operating Temperature	0°F to 125°F
No Load RPM	0 - 14,000
Max Planing Depth	5/64"
Max Rabbling Depth	27/64"
Max Planing Width	3-1/4"

FUNCTIONAL DESCRIPTION



1. Handle
2. Trigger
3. Trigger lock-off
4. Exhaust ports
5. Exhaust selector
6. Depth knob (grasping surface)
7. Chamfer groove
8. Fence insert (both sides of tool)
9. Front shoe
10. Drive belt guard
11. Kickstand (not shown)
12. Rear shoe
13. Wrench storage (not shown)

ASSEMBLY

⚠WARNING Recharge only with the charger specified for the battery. For specific charging instructions, read the operator's manual supplied with your charger and battery.

Removing/Inserting the Battery

To remove the battery, push in the release buttons and pull the battery pack away from the tool.

⚠WARNING Always remove battery pack before changing or removing accessories.

To insert the battery, slide the pack into the body of the tool. Make sure it latches securely into place.

⚠WARNING Only use accessories specifically recommended for this tool. Others may be hazardous.

To reduce the risk of injury, wear safety goggles or glasses with side shields.

Dust from surface coatings such as polyurethanes, linseed oil, etc., can self-ignite. To reduce the risk of fire, empty the dust bag when it becomes about half-full and never store or leave a planer without totally emptying its dust bag. Also follow the recommendations of the coatings manufacturers.

Dust Collection

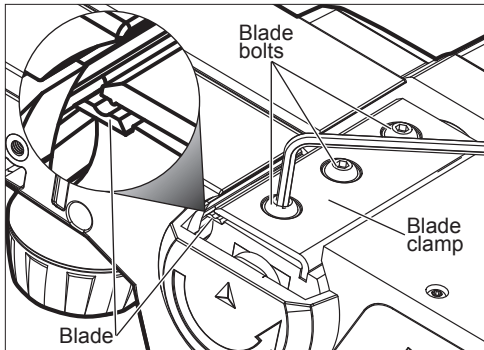
Switch the exhaust selector to the left or right, depending on your job. Use the accessory dust bag (Cat. No. 42-16-2623) or a connected, running vacuum when using the planer to keep the workplace cleaner. Install the dust bag or a vacuum hose (1-1/2" diam.) by twisting onto the selected exhaust port. Always empty and clean the dust bag thoroughly when it becomes about half-full and upon completion of a job.

⚠WARNING Blades are sharp and fragile. Handle with care. Laceration and/or damage to the blade can occur.

Installing/Replacing Blades

The planer blades have two cutting edges, and may be reversed when one of the cutting edges becomes dull or chipped. Do not sharpen planer blades. Always change/reverse blades in pairs. Use only 3-1/4", tungsten-carbide or carbide, double-edged (reversible) planer blades.

⚠WARNING Always change/reverse blades in pairs. Unpaired blades can cause increases in vibration, loss of control, and lower tool performance.



To remove blades:

1. Remove battery pack.
2. Clean dust and debris from the blade drum.
3. Using the 1/8" hex wrench provided, loosen (do not remove) the three blade bolts.
4. Using a scrap piece of wood, slide the old blade out of the blade clamp.

NOTE: If the blade is difficult to remove, clean the blade and blade clamp with alcohol, mineral spirits, or lacquer thinner.

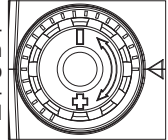
5. Rotate blade drum and repeat for other blade.

To install blades:

6. Reverse blades or use new blades.
7. Align the groove on the top of the blade with the ridge of the blade clamp and carefully slide the blade onto the drum.
8. Center the blade lengthwise - it will overhang the blade clamp slightly on both sides.
9. Using a block of wood, push the blade back towards the blade clamp so that the inner side of the blade is pressed against the step on the drum. This will ensure proper alignment and reduce tool vibration.
10. Tighten all three blade bolts securely.
11. Rotate blade drum and repeat for other blade.
12. Once installed, rotate the blade drum to ensure the blade does not contact the shoe or housing, and that the blades are both installed straight.

Adjusting the Depth of Cut

1. Remove battery pack.
2. Determine the amount of material to be removed during each pass of the planer. Take into account the moisture and hardness of the workpiece, as well as the desired feed rate.
3. Each detent is 1/256" (0.1 mm). Turn the knob clockwise to increase the depth of cut, counter-clockwise to decrease the depth of cut. Do not change the depth of cut while planing.
4. Make a test cut. If the planer moves easily through the workpiece, increase the depth of cut. If the planer seems to strain, decrease the depth of cut.



Installing the guide fence

Use the guide fence for additional stability when cutting workpieces up to 3-1/4" wide, and when beveling at up to a 45° angle.

1. Remove battery pack
2. Screw the guide fence into the left or right fence insert.
3. Using the thumb screws, adjust the width and bevel according to the job.

Closing the Kickstand

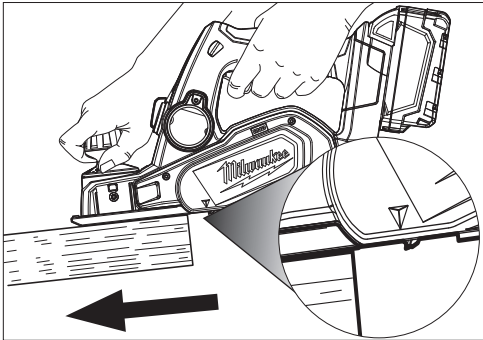
The kickstand is provided to protect the blade when the tool is set down. It is pushed up automatically during a normal planing operation. To close the kickstand manually, push closed and slide to the side.


OPERATION

WARNING Always remove battery pack before changing or removing accessories. Only use accessories specifically recommended for this tool. Others may be hazardous. To reduce the risk of injury, always wear safety goggles or glasses with side shields.

Operation

1. Remove battery pack.
2. Check blades. Replace if necessary.
3. Install guide fence, if desired.
4. Turn the exhaust selector to the desired side. Install dust bag or vacuum on appropriate side of tool, if desired.
5. Clamp work securely.
6. Insert battery pack.
7. Securely grasp the tool by the handle and the depth adjustment knob.
8. Line up the front of the tool with the workpiece. WITHOUT contacting the drum to the workpiece, press down on the trigger lock-off and pull the trigger. Wait for the tool to come to full speed before beginning to avoid overloading and damaging the tool.



9. Keeping the front shoe flush with the workpiece, use gentle pressure to guide the planer. All pressure should be on the front shoe when starting the cut. Transfer downward pressure to the rear shoe as it contacts the workpiece.
10. For best results, push planer through the workpiece at an even rate. Do not push too fast as it will strain the motor and could damage the blades. Do not pull the planer backward over the workpiece.

Slow feed + shallow depth of cut = smooth finish
Faster feed + deep depth of cut = rough finish
11. When finished with the pass, lift the planer away from the workpiece. Wait for the blade to come to a complete stop before setting down.
12. Continue using progressive cuts until near the desired depth. Set the adjustment knob to a very shallow depth for the final passes. This will ensure a smooth finish.
13. Empty and clean the dust bag thoroughly when it becomes about half-full and upon completion of a job.

14. If chute becomes clogged, remove battery pack and clear all dust and debris. **WARNING!** Keep hands and fingers away from dust chute. Turn off tool and remove battery pack before clearing jams.

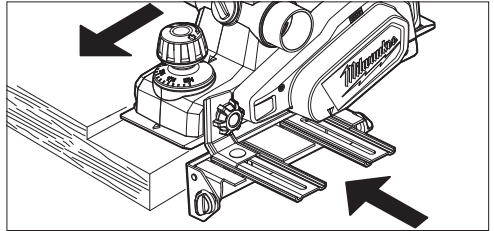
Types of Cuts



Rabbeting, Shiplapping

Rabbeting, or shiplapping, is a type of step cut achieved by making repetitive passes. Use the guide fence to ensure a straight cut.

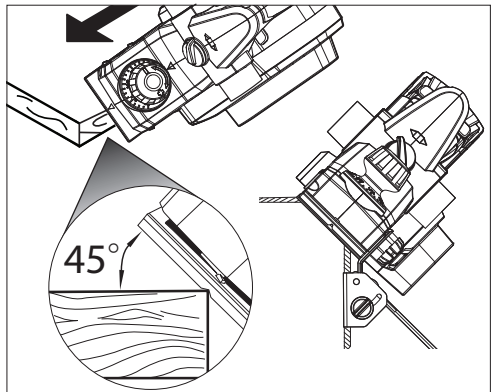
1. Align the blade edge with the cutting line and secure the guide fence against the side of the workpiece.
2. Keep the edge of the fence against the workpiece as the planer is moved through the workpiece.
3. Repeat until the desired depth is reached. Maximum rabbeting depth is 27/64".



Chamfering

Chamfering is a type of angle cut. Use the guide fence to ensure the same angle is cut during each repetitive pass.

1. Align the chamfer groove in the front shoe with the edge of the workpiece at the desired angle.
2. Secure the guide fence against the side of the workpiece, using the bevel thumb screws.
3. Keep the edge of the fence against the workpiece as the planer is moved through the workpiece.
4. Repeat until the desired chamfer is reached.



MAINTENANCE

WARNING To reduce the risk of injury, always unplug the charger and remove the battery pack from the charger or tool before performing any maintenance. Never disassemble the tool, battery pack or charger. Contact a MILWAUKEE service facility for ALL repairs.

Maintaining Tool

Keep your tool, battery pack and charger in good repair by adopting a regular maintenance program. Inspect your tool for issues such as undue noise, misalignment or binding of moving parts, breakage of parts, or any other condition that may affect the tool operation. Return the tool, battery pack, and charger to a MILWAUKEE service facility for repair. After six months to one year, depending on use, return the tool, battery pack and charger to a MILWAUKEE service facility for inspection.

If the tool does not start or operate at full power with a fully charged battery pack, clean the contacts on the battery pack. If the tool still does not work properly, return the tool, charger and battery pack, to a MILWAUKEE service facility for repairs.

WARNING To reduce the risk of personal injury and damage, never immerse your tool, battery pack or charger in liquid or allow a liquid to flow inside them.

Cleaning

Clean dust and debris from vents. Keep handles clean, dry and free of oil or grease. Use only mild soap and a damp cloth to clean, since certain cleaning agents and solvents are harmful to plastics and other insulated parts. Some of these include gasoline, turpentine, lacquer thinner, paint thinner, chlorinated cleaning solvents, ammonia and household detergents containing ammonia. Never use flammable or combustible solvents around tools.

Repairs

For repairs, return the tool, battery pack and charger to the nearest service center.

ACCESSORIES

WARNING Use only recommended accessories. Others may be hazardous.

For a complete listing of accessories, go online to www.milwaukeetool.com or contact a distributor.

SERVICE - UNITED STATES

1-800-SAWDUST (1.800.729.3878)

Monday-Friday, 7:00 AM - 6:30 PM CST
or visit www.milwaukeetool.com

Contact Corporate After Sales Service Technical Support with technical, service/repair, or warranty questions.

Email: metproductsupport@milwaukeetool.com

Become a Heavy Duty Club Member at www.milwaukeetool.com to receive important notifications regarding your tool purchases.

SERVICE - CANADA

Milwaukee Tool (Canada) Ltd

1.800.268.4015

Monday-Friday, 7:00 AM - 4:30 PM CST
or visit www.milwaukeetool.ca

LIMITED WARRANTY USA & CANADA

Every MILWAUKEE power tool* (see exceptions below) is warranted to the original purchaser only to be free from defects in material and workmanship. Subject to certain exceptions, MILWAUKEE will repair or replace any part on an electric power tool which, after examination, is determined by MILWAUKEE to be defective in material or workmanship for a period of five (5) years** after the date of purchase unless otherwise noted. Return of the power tool to a MILWAUKEE factory Service Center location or MILWAUKEE Authorized Service Station, freight prepaid and insured, is required. A copy of the proof of purchase should be included with the return product. This warranty does not apply to damage that MILWAUKEE determines to be from repairs made or attempted by anyone other than MILWAUKEE authorized personnel, misuse, alterations, abuse, normal wear and tear, lack of maintenance, or accidents. Normal Wear: Many power tools need periodic parts replacement and service to achieve best performance. This warranty does not cover repair when normal use has exhausted the life of a part including, but not limited to, chucks, brushes, cords, saws, hoses, blade clamps, o-rings, seals, bumpers, driver blades, pistons, strikers, lifters, and bumper cover washers.

**This warranty does not cover Air Nailers & Staplers; Airless Paint Sprayer; Cordless Battery Pack; Gasoline Driven Portable Power Generators; Hand Tools; Hoist - Electric; Lever & Hand Chain; M12™ Heated Gear; Reconditioned Product; and Test & Measurement Products. There are separate and distinct warranties available for these products. **The warranty period for Job Site Radians, M12™ Power Port, M18™ Power Source, Jobsite Fan and Trade T10™ Industrial Work Carts is one (1) year from the date of purchase. The warranty period for the Drain Cleaning Cables is two (2) years from the date of purchase. The warranty period for the M18™ Compact Heat Gun and the 8 Gallon Dust Extractor is three (3) years from the date of purchase. The warranty period for the LED in the LED Work Light and the LED Upgrade Bulb for the Work Light is the lifetime of the product subject to the limitations above. If during normal use the LED or LED Bulb fails, the part will be replaced free of charge.

Warranty Registration is not necessary to obtain the applicable warranty on a MILWAUKEE power tool product. The manufacturing date of the product will be used to determine the warranty period if no proof of purchase is provided at the time warranty service is requested.

ACCEPTANCE OF THE EXCLUSIVE REPAIR AND REPLACEMENT REMEDIES DESCRIBED HEREIN IS A CONDITION OF THE CONTRACT FOR THE PURCHASE OF EVERY MILWAUKEE PRODUCT. IF YOU DO NOT AGREE TO THIS CONDITION, YOU SHOULD NOT PURCHASE THE PRODUCT. IN NO EVENT SHALL MILWAUKEE BE LIABLE FOR ANY INCIDENTAL, SPECIAL, CONSEQUENTIAL OR PUNITIVE DAMAGES, OR FOR ANY COSTS, ATTORNEY FEES, EXPENSES, LOSSES OR DELAYS ALLEGED TO BE AS A CONSEQUENCE OF ANY DAMAGE TO, FAILURE OF, OR DEFECT IN ANY PRODUCT INCLUDING, BUT NOT LIMITED TO, ANY CLAIMS FOR LOSS OF PROFITS. SOME STATES DO NOT ALLOW THE EXCLUSION OR LIMITATION OF INCIDENTAL OR CONSEQUENTIAL DAMAGES, SO THE ABOVE LIMITATION OR EXCLUSION MAY NOT APPLY TO YOU. THIS WARRANTY IS EXCLUSIVE AND IN LIEU OF ALL OTHER EXPRESS WARRANTIES, WRITTEN OR ORAL. TO THE EXTENT PERMITTED BY LAW, MILWAUKEE DISCLAIMS ANY IMPLIED WARRANTIES, INCLUDING WITHOUT LIMITATION ANY IMPLIED WARRANTY OF MERCHANTABILITY OR FITNESS FOR A PARTICULAR USE OR PURPOSE. TO THE EXTENT SUCH DISCLAIMER IS NOT PERMITTED BY LAW, SUCH IMPLIED WARRANTIES ARE LIMITED TO THE DURATION OF THE APPLICABLE EXPRESS WARRANTY AS DESCRIBED ABOVE. SOME STATES DO NOT ALLOW LIMITATIONS ON HOW LONG AN IMPLIED WARRANTY LASTS. SO THE ABOVE LIMITATION MAY NOT APPLY TO YOU, THIS WARRANTY GIVES YOU SPECIFIC LEGAL RIGHTS, AND YOU MAY ALSO HAVE OTHER RIGHTS WHICH VARY FROM STATE TO STATE.

This warranty applies to product sold in the U.S.A. and Canada only. Please consult the "Service Center Search" in the Parts & Service section of MILWAUKEE's website www.milwaukeetool.com or call 1.800.SAWDUST (1.800.729.3878) to locate your nearest service facility for warranty and non-warranty service on a Milwaukee electric power tool.

LIMITED WARRANTY - MEXICO, CENTRAL AMERICA & CARIBBEAN

TECHTRONIC INDUSTRIES' warranty is for 5 years since the original purchase date.

This warranty card covers any defect in material and workmanship on this Product.

To make this warranty valid, present this warranty card, sealed/stamped by the distributor or store where you purchased the product, to the Authorized Service Center (ASC). Or, if this card has not been sealed/stamped, present the original proof of purchase to the ASC. Call toll-free 01 (800) 030-7777 to find the nearest ASC, for service, parts, accessories or components.

Procedure to make this warranty valid

Take the product to the ASC, along with the warranty card sealed/stamped by the distributor or store where you purchased the product, and any faulty piece or component will be replaced without cost for you. We will cover all freight costs relative with this warranty process.

Exceptions

This warranty is not valid in the following situations
a) When the product is used in a different manner from the end-user guide or instruction manual.
b) When the conditions of use are not normal.
c) When the product was modified or repaired by people not authorized by TECHTRONIC INDUSTRIES.

Note: If cord set is damaged, it should be replaced by an Authorized Service Center to avoid electric risks.

Model: _____

Date of Purchase: _____

Distributor or Store Stamp: _____

RÈGLES DE SÉCURITÉ GÉNÉRALES RELATIVES AUX OUTILS ÉLECTRIQUES

▲ AVERTISSEMENT Lire toutes les consignes de sécurité, consignes, illustrations et spécifications fournies avec cet outil électrique. Ne pas suivre l'ensemble des règles et instructions peut entraîner une électrocution, un incendie ou des blessures graves. **Conserver les règles et les instructions à des fins de référence ultérieure.** Le terme «outil électrique» figurant dans les avertissements ci-dessous renvoie à l'outil électrique à alimentation par le réseau (à cordon) ou par batterie (sans fil).

SÉCURITÉ DU LIEU DE TRAVAIL

- **Veillez à ce que l'aire de travail soit propre et bien éclairée.** Le désordre et le manque de lumière favorisent les accidents.
- **Ne pas utiliser d'outils électriques dans des atmosphères explosives, par exemple en présence de liquides, gaz ou poussières inflammables.** Les outils électriques produisent des étincelles risquant d'enflammer les poussières ou vapeurs.
- **S'assurer que les enfants et les curieux se trouvent à une bonne distance au moment d'utiliser un outil électrique.** Les distractions peuvent causer une perte de contrôle.

SÉCURITÉ ÉLECTRIQUE

- **Les fiches des outils électriques doivent correspondre à la prise secteur utilisée. Ne jamais modifier la fiche, de quelque façon que ce soit. Ne jamais utiliser d'adaptateurs de fiche avec des outils mis à la terre.** Les fiches et prises non modifiées réduisent le risque de choc électrique.
- **Éviter tout contact avec des surfaces mises à la terre comme des tuyaux, des radiateurs, des cuisinières et des réfrigérateurs.** Le risque de choc électrique est accru lorsque le corps est mis à la terre.
- **Ne pas exposer les outils électriques à l'eau ou l'humidité.** La pénétration d'eau dans ces outils accroît le risque de choc électrique.
- **Ne pas maltraiter le cordon d'alimentation. Ne jamais utiliser le cordon d'alimentation pour transporter l'outil électrique et ne jamais débrancher ce dernier en tirant sur le cordon. Garder le cordon à l'écart de la chaleur, de l'huile, des objets tranchants et des pièces en mouvement.** Un cordon endommagé ou emmêlé accroît le risque de choc électrique.
- **Pour les travaux à l'extérieur, utiliser un cordon spécialement conçu à cet effet.** Utiliser un cordon conçu pour l'usage extérieur réduit les risques de choc électrique.

• **Si l'utilisation d'un outil électrique est inévitable dans un endroit humide, utiliser une source d'alimentation munie d'un disjoncteur de fuite de terre.** L'utilisation d'un disjoncteur de fuite de terre réduit le risque de choc électrique.

SÉCURITÉ INDIVIDUELLE

- **Rester attentif, prêter attention au travail et faire preuve de bon sens lors de l'utilisation de tout outil électrique. Ne pas utiliser cet appareil en cas de fatigue ou sous l'influence de l'alcool, de drogues ou de médicaments.** Un moment d'inattention pendant l'utilisation d'un outil électrique peut entraîner des blessures graves.
- **Porter l'équipement de protection individuel requis. Toujours porter une protection oculaire.** Selon les conditions, porter aussi un masque anti-poussières, des bottes de sécurité antidérapantes, un casque protecteur ou une protection auditive afin de réduire les blessures.
- **Empêcher les démarrages accidentels. S'assurer que la gâchette est en position d'arrêt avant de brancher l'outil à une source de courant, d'insérer la batterie, de le ramasser ou de le transporter.** Le fait de transporter un outil électrique en gardant le doigt sur la gâchette ou de mettre sous tension un outil électrique lorsque la gâchette est en position de marche favorise les accidents.
- **Retirer les clés de réglage avant de mettre l'outil en marche.** Une clé laissée sur une pièce rotative de l'outil peut causer des blessures.
- **Ne pas travailler hors de portée. Toujours se tenir bien campé et en équilibre.** Une bonne stabilité procure un meilleur contrôle de l'outil électrique en cas d'imprévus.
- **Porter une tenue appropriée. Ne porter ni vêtements amples, ni bijoux. Garder les cheveux et les vêtements à l'écart des pièces en mouvement.** Les vêtements flottants, les bijoux ou les cheveux longs risquent d'être happés par les pièces en mouvement.
- **Si les outils sont équipés de dispositifs de dépolléissage, s'assurer qu'ils sont connectés et correctement utilisés.** L'utilisation d'un collecteur de poussière permet de réduire les dangers liés à la poussière.
- **Ne pas laisser la familiarité avec l'outil acquise par une utilisation fréquente vous rendre suffisant et vous amener à ignorer les règles de sécurité.** Une utilisation négligée peut causer une blessure grave en une fraction de seconde.

UTILISATION ET ENTRETIEN DE L'OUTIL ÉLECTRIQUE

- **Ne pas forcer l'outil électrique. Utiliser l'outil électrique approprié pour l'application.** Un outil électrique approprié exécutera le travail mieux et de façon moins dangereuse s'il est utilisé dans les limites prévues.
- **Ne pas utiliser l'outil électrique si le commutateur ne permet pas de le mettre en marche ou de l'arrêter.** Tout outil électrique qui ne peut pas être contrôlé par son commutateur est dangereux et doit être réparé.
- **Débrancher l'outil et/ou retirer le bloc-piles, si possible, avant d'effectuer des réglages, de changer d'accessoire ou de remiser l'outil.** Ces mesures de sécurité préventives réduisent les risques de démarrage accidentel de l'outil.
- **Entreposer l'outil électrique hors de la portée des enfants et interdire à quiconque de l'utiliser si la**

personne ne connaît pas bien le produit ou les instructions. Les outils électriques sont dangereux dans les mains d'utilisateurs novices.

- **Entretien des outils électriques et les accessoires.** Vérifier qu'aucune pièce mobile n'est mal alignée ou bloquée, qu'aucune pièce n'est brisée et s'assurer qu'aucun autre problème risque d'affecter le bon fonctionnement de l'outil. En cas de dommages, faire réparer l'outil avant de l'utiliser. Plusieurs accidents sont causés par des produits mal entretenus.
- **Garder les outils bien affûtés et propres.** Des outils correctement entretenus et dont les tranchants sont bien affûtés risquent moins de se bloquer et sont plus faciles à contrôler.
- **Utiliser l'outil électrique, les accessoires, les embouts etc. conformément à ces instructions en tenant compte des conditions de travail et de la tâche à effectuer.** L'usage d'un outil électrique pour des applications pour lesquelles il n'est pas conçu peut être dangereux.
- **Garder les poignées et les surfaces de préhension sèches, propres et exemptes d'huile ou de graisse.** Des poignées et des surfaces de préhension glissantes ne permettent pas de manipuler et de contrôler l'outil en toute sécurité en cas de situation imprévue.

UTILISATION ET ENTRETIEN DE LA BATTERIE

- **Pour recharger le bloc-piles, utiliser seulement le chargeur spécifié par le fabricant.** Un chargeur pouvant convenir à un type de bloc-piles peut entraîner un risque d'incendie lorsqu'il est utilisé avec un autre type de bloc-piles.
- **N'utiliser l'outil électrique qu'avec une batterie recommandée.** L'utilisation de tout autre bloc-piles peut créer un risque de blessures et d'incendie.
- **Lorsque le bloc-piles n'est pas utilisé, le tenir éloigné des objets en métal tels que les trombones, les pièces de monnaie, les clés, les clous, les vis ou d'autres petits objets métalliques qui pourraient connecter les bornes.** Le court-circuitage des bornes d'une pile peut entraîner des brûlures ou un incendie.
- **Éviter tout contact avec le liquide pouvant être éjecté de la pile en cas de manutention abusive.** En cas de contact accidentel, rincer immédiatement les parties atteintes avec de l'eau. Si le liquide entre en contact avec les yeux, consulter un médecin. Le liquide éjecté des piles peut causer des irritations ou des brûlures.
- **N'utiliser aucun bloc-piles ni aucun outil ayant été endommagé ou modifié.** Des piles endommagées ou modifiées peuvent adopter un comportement imprévisible pouvant causer un incendie, une explosion ou le risque de blessures.
- **Ne pas exposer le bloc-piles ou l'outil aux flammes ou à une température excessive.** Une exposition aux flammes ou à une température supérieure à 130°C (265°F) peut causer une explosion.
- **Suivre toutes les instructions de charge et ne pas charger le bloc-piles ou l'outil en dehors de la plage de température spécifiée.** Une charge incorrecte ou à des températures en dehors de la plage spécifiée peut endommager la pile et augmenter le risque d'incendie.

ENTRETIEN

- **Les réparations de l'outil électrique doivent être confiées à un technicien qualifié, utilisant exclusivement des pièces identiques à celles d'origine.** Le maintien de la sûreté de l'outil électrique sera ainsi assuré.
- **Ne jamais effectuer la réparation d'un bloc-piles endommagé.** La réparation du bloc-piles doit être réalisée par le fabricant ou les fournisseurs de service agréés uniquement.

RÈGLES DE SÉCURITÉ SPÉCIFIQUES POUR RABOTEUSES

- **Avertissements de sécurité pour raboteuse :**
- **Attendre l'arrêt de la lame avant de poser l'outil.** Une lame exposée en rotation pourrait engager la surface et causer une perte de contrôle entraînant des blessures graves.
- **Utiliser des serre-joints ou un autre moyen pratique pour maintenir la pièce sécurisée sur une surface stable.** Le fait de tenir la pièce à travailler avec ses mains ou contre son corps la rend instable et peut occasionner une perte de contrôle.
- **Inspecter la pièce à travailler et retirer les clous éventuels avant de la couper.** Les clous endommageront l'outil et les fragments des clous ou de la lame peuvent être éjectés en direction de l'opérateur.
- **Utiliser uniquement une paire adéquate de lames de raboteuse bien affûtées.** Les lames doivent toujours être remplacées en paires. Les lames détériorées ou mal appariées peuvent causer un blocage, gougeage ou une perte de contrôle, provoquant ainsi des blessures.
- **Garder les mains et toutes les parties du corps à l'écart des lames.** Tenir l'outil de façon sécuritaire avec les deux mains. Le contact avec la lame peut causer des blessures graves.
- **Les lames sont tranchantes.** Soyez vigilant lorsque vous changez ou ajustez les lames.
- **Avant l'utilisation, s'assurer que les boulons de la lame sont bien serrés et les lames sont correctement alignées.** Faire tourner l'outil pour vérifier la présence de vibrations ou « d'oscillation latérale » qui peuvent indiquer que les lames ne sont pas correctement installées.
- **Garder les mains et les doigts à l'écart de l'éjecteur de sciure.** Arrêter l'outil et retirer le bloc-piles lors du débouillage.
- **Maintenir en l'état les étiquettes et les plaques d'identification.** Des informations importantes y figurent. Si elles sont illisibles ou manquantes, contacter un centre de services et d'entretien MILWAUKEE pour un remplacement gratuit.
- **⚠ AVERTISSEMENT** Certaines poussières générées par les activités de ponçage, de coupe, de rectification, de perçage et d'autres activités de construction contiennent des substances considérées être la cause de malformations congénitales et de troubles de l'appareil reproducteur. Parmi ces substances figurent:
 - le plomb contenu dans les peintures à base de plomb;
 - la silice cristalline des briques, du ciment et d'autres matériaux de maçonnerie, ainsi que

• l'arsenic et le chrome des sciages traités chimiquement. Les risques encourus par l'opérateur envers ces expositions varient en fonction de la fréquence de ce type de travail. Pour réduire l'exposition à ces substances chimiques, l'opérateur doit: travailler dans une zone bien ventilée et porter l'équipement de sécurité approprié, tel qu'un masque anti-poussière spécialement conçu pour filtrer les particules microscopiques.

MONTAGE DE L'OUTIL

⚠ AVERTISSEMENT Ne recharger la batterie qu'avec le chargeur spécifié. Pour les instructions de charge spécifiques, lire le manuel d'utilisation fourni avec le chargeur et les batteries.

Insertion/Retrait de la batterie

Pour retirer la batterie, enfoncer les boutons de déverrouillage et la tirer hors de l'outil.

⚠ AVERTISSEMENT Il faut toujours retirer la batterie et verrouiller la détente de l'outil avant de changer ou d'enlever les accessoires.

Pour insérer la batterie, la glisser dans le corps de l'outil. S'assurer qu'elle est fixée solidement.

⚠ AVERTISSEMENT L'emploi d'accessoires autres que ceux qui sont expressément recommandés pour cet outil peut comporter des risques.

Pour minimiser les risques de blessures, portez des lunettes à coques latérales.

La poussière produite du revêtement de surface tels que les polyuréthanes, huile de lin, etc., peuvent s'enflammer spontanément. Pour réduire le risque d'incendie, vider le sac à poussière quand il devient à moitié plein et ne jamais laisser ou ranger la raboteuse sans avoir complètement vidé le sac. En outre, suivre les recommandations des fabricants de revêtements.

Système d'aspiration

Réglez le sélecteur d'échappement vers la gauche ou vers la droite, selon votre travail. Utilisez le sac à poussière en option (No de cat. 42-16-2623) ou un aspirateur en fonction connecté, lors de l'utilisation de la raboteuse en vue de garder le milieu de travail propre. Installez le sac à poussière ou un tuyau d'aspiration (38 mm (1-1/2") de diam) en tournant sur le port d'échappement sélectionné. Toujours vider et nettoyer soigneusement le sac à poussière quand il devient à moitié plein et à la fin du travail.

⚠ AVERTISSEMENT Les lames sont tranchantes et fragiles. Manipuler avec précaution. Une laceration et/ou des dommages à la lame peuvent se produire.

Installation/Remplacement des lames

Les lames de rabotage ont deux bords de coupe, et peuvent être inversées lorsque l'un des bords de coupe devient terne ou ébréché. Ne pas affûter les lames de la raboteuse. Les lames doivent toujours être remplacées/reversées en paires. Utiliser des lames de 82 mm (3-1/4") en carbure de tungstène ou de carbide, à deux tranchants.

PICTOGRAPHIE



Volts



Courant direct

n₀ XXXX min⁻¹ Tours-minute à vide (RPM)



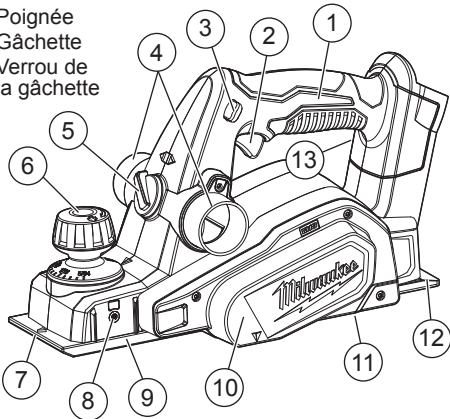
UL Listing Mark pour Canada et États-unis

SPECIFICATIONS

No de Cat.....	2623-20-20
Volts.....	18 CD
Type de batterie	M18™
Type de chargeur	M18™
Température ambiante de fonctionnement recommandée	-18°C à 50°C (0°F à 125°F)
RPM.....	0 - 14 00
Profondeur de rabotage max	2 mm (5/64")
Profondeur de refeuillement max..	10,7 mm (27/64")
Largeur de rabotage max	82 mm (3-1/4")

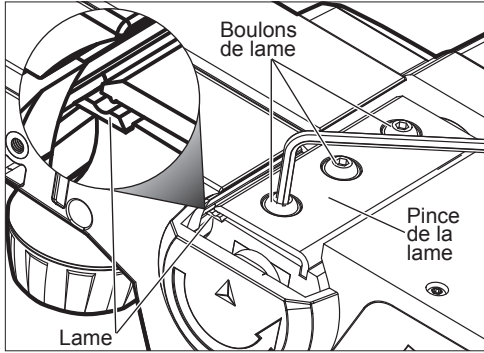
DESCRIPTION FONCTIONNELLE

1. Poignée
2. Gâchette
3. Verrou de la gâchette



4. Orifices d'échappement
5. Sélecteur d'échappement
6. Bouton de réglage de profondeur (surface de préhension)
7. Rainure de chanfrein
8. Insert de guide (des deux côtés de l'outil)
9. Sabot avant
10. Protection de courroie d'entraînement
11. Béquille (non illustrée)
12. Sabot arrière
13. Rangement de clé (non illustré)

AVERTISSEMENT Les lames doivent toujours être remplacées/reversées en paires. Les lames non appariées peuvent entraîner une augmentation des vibrations, perte de contrôle, et de plus faibles performances de l'outil.



Dépose des lames :

1. Retirer le bloc-piles.
2. Nettoyer la poussière et les débris du tambour à lames.
3. Utiliser la clé hexagonale fournie de 1/8" pour desserrer (ne pas retirer) les trois boulons de la lame.
4. Utiliser un morceau de bois de rebut et faire glisser la vieille lame loin de la pince de la lame.

REMARQUE : Si la lame est difficile à enlever, nettoyer la lame et la pince avec de l'alcool, de l'essence minérale ou du diluant pour peinture.

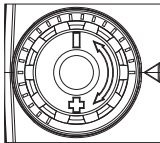
5. Tournez le tambour à lames et recommencez avec l'autre lame.

Installation des lames :

6. Inverser les lames ou utiliser de nouvelles lames.
7. Aligner la rainure sur le dessus de la lame avec la crête de la pince de la lame et soigneusement glisser la lame sur le tambour.
8. Centrer la lame en longueur - elle surplombera légèrement la pince de la lame sur les deux côtés.
9. À l'aide d'un bloc de bois, pousser la lame vers la pince de sorte que la face intérieure de la lame soit appuyée contre le pas du tambour. Cela permettra d'assurer un bon alignement et de réduire les vibrations de l'outil.
10. Serrer les trois boulons de la lame fermement.
11. Tourner le tambour à lames et recommencer avec l'autre lame.
12. Une fois installé, faire tourner le tambour à lames afin de s'assurer que la lame ne touche pas le sabot ou le carter, et que les deux lames sont installées en ligne droite.

Réglage de la profondeur de coupe

1. Retirer le bloc-piles
2. Déterminer la quantité de matériaux à retirer pendant chaque passage de la raboteuse. Prendre en compte l'humidité et la dureté de la pièce à travailler, ainsi que le taux d'alimentation désiré.
3. Chaque encoche est de 0,1 mm (1/256"). Tourner le bouton dans le sens horaire pour augmenter la profondeur de coupe ou dans le sens antihoraire pour réduire la profondeur de coupe. Ne pas changer la profondeur de coupe pendant le rabotage.



4. Effectuer une coupe d'essai. Si la raboteuse se déplace facilement à travers la pièce, augmenter la profondeur de coupe. Si la raboteuse semble se déformer, diminuer la profondeur de coupe.

Installation du garde de guidage

Utiliser le garde de guidage pour une stabilité supplémentaire pendant la coupe des pièces jusqu'à 82 mm (3-1/4") de largeur, et en cas de biseautage jusqu'à un angle de 45°.

1. Retirer le bloc-piles
2. Visser le garde de guidage dans l'insert droit ou gauche.
3. À l'aide des vis de serrage, régler la largeur et le biseautage selon la tâche.

Fermer la béquille

La béquille est fournie pour protéger la lame une fois que l'outil est posé. Elle sera poussée automatiquement vers le haut pendant le rabotage normal. Pour fermer la béquille manuellement, appuyer sur « fermer » et glisser vers le côté.

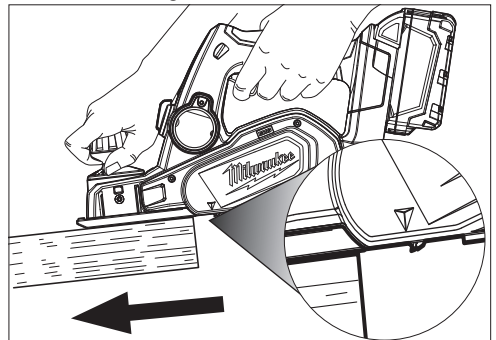
MANIEMENT

AVERTISSEMENT Il faut toujours retirer la batterie et verrouiller la détente de l'outil avant de changer ou d'enlever les accessoires. L'emploi d'accessoires autres que ceux qui sont expressément recommandés pour cet outil peut comporter des risques.

Pour minimiser les risques de blessures, portez des lunettes à coques latérales.

Utilisation

1. Retirer le bloc-piles
2. Vérifier les lames. Les remplacer si nécessaire.
3. Installer le garde de guidage, si requis.
4. Tourner le sélecteur d'échappement vers la position désirée. Installer le sac de poussière ou l'aspirateur sur l'un des côtés de l'outil, si nécessaire.
5. Serrer solidement la pièce.
6. Insérer le bloc-piles.
7. Saisir fermement l'outil par la poignée et le bouton de réglage de la profondeur.
8. Aligner l'avant de l'outil avec la pièce à travailler. SANS que le tambour n'entre en contact avec la pièce à travailler, appuyer vers le bas sur le verrouillage de la gâchette et tirer la gâchette. Attendre que l'outil atteigne sa pleine vitesse avant de commencer pour éviter de surcharger et d'endommager l'outil.



- Garder le sabot avant au même niveau que la pièce, utiliser une légère pression pour guider la raboteuse. La pression ne doit se faire que sur le sabot avant lors du démarrage de la coupe. Transférer la pression descendante vers le sabot arrière alors qu'il entre en contact avec la pièce à travailler.

- Pour les meilleurs résultats, pousser la raboteuse à travers la pièce à un rythme homogène. Ne pas pousser trop vite pour ne pas mettre le moteur à rude épreuve, ce qui pourra endommager les lames. Ne pas tirer la raboteuse en arrière sur la pièce.



Alimentation lente + légère profondeur de coupe = finition lisse

Alimentation rapide + grande profondeur de coupe = finition rugueuse

- Une fois le passage terminé, soulever la raboteuse loin de la pièce. Attendre l'arrêt complet de la lame avant de la poser.
- Continuer les réductions progressives jusqu'à s'approcher de la profondeur désirée. Ajuster le bouton de réglage pour une très faible profondeur pour les passages finaux. Cela permettra d'assurer une finition lisse.
- Vider et nettoyer le sac à poussière à fond quand il devient environ à moitié plein et à la fin d'un travail.
- Si goulotte est bouché, enlever la batterie, puis désactivez toutes les poussières et débris. **AVERTISSEMENT!** Garder les mains et les doigts à l'écart de l'éjecteur de sciure. Arrêter l'outil et retirer le bloc-piles lors du débouillage.

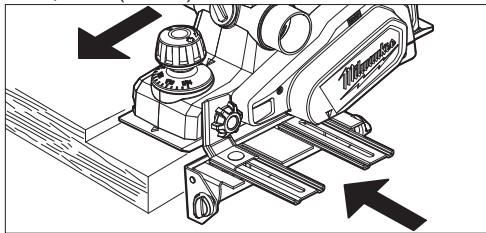
Types de coupes



Refeuilletement, feuillurage

Le refeuilletement ou le feuillurage, est un type de coupe gradué réalisé en faisant des passages répétitifs. Utiliser le garde de guidage pour assurer une coupe droite.

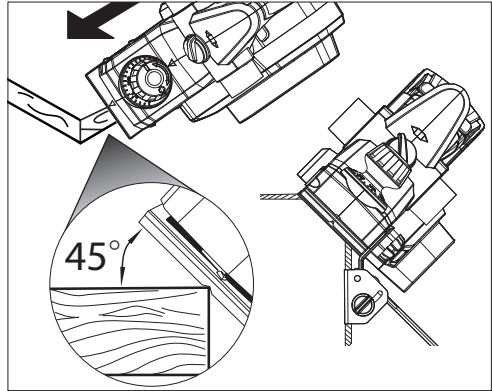
- Aligner le bord de la lame avec la ligne de coupe et fixer le garde de guidage contre le côté de la pièce à travailler.
- Maintenir le bord du garde contre la pièce pendant le déplacement de la raboteuse à travers la pièce.
- Répéter jusqu'à arriver à la profondeur désirée. La profondeur de refeuilletement maximale est de 10,7 mm (27/64").



Chanfreinage

Le chanfreinage est un type de coupe angulaire. Utiliser le garde de guidage pour garantir le même angle de coupe à chaque passage répétitif.

- Aligner la rainure de chanfrein dans le sabot avant avec le bord de la pièce à travailler à l'angle désiré.
- Fixez le garde de guidage contre le côté de la pièce, en utilisant les vis de serrage coniques.
- Maintenir le bord du garde contre la pièce tant que la raboteuse se déplace à travers la pièce.
- Répéter jusqu'à atteindre le chanfrein souhaité.



ENTRETIEN

AVERTISSEMENT Pour minimiser les risques de blessures corporelles, débranchez le chargeur et retirez la batterie du chargeur ou de l'outil avant d'y effectuer des travaux d'entretien. Ne démontez jamais l'outil, la batterie ou le chargeur. Pour toute réparation, consultez un centre de service MILWAUKEE accrédité.

Entretien de l'outil

Gardez l'outil en bon état en adoptant un programme d'entretien ponctuel. Inspectez votre outil pour des questions telles que le bruit excessif, de grippage des pièces mobiles, de pièces cassées ou toute autre condition qui peut affecter le fonctionnement de l'outil. Retournez votre outil à un centre de service MILWAUKEE accrédité pour obtenir le service. Après une période pouvant aller de 6 mois à un an, selon l'usage, retournez votre outil à un centre de service MILWAUKEE accrédité pour d'inspection.

Si l'outil ne démarre pas ou ne fonctionne pas à pleine puissance alors qu'il est branché sur une batterie complètement chargée, nettoyez les points de contact entre la batterie et l'outil. Si l'outil ne fonctionne toujours pas correctement, renvoyez l'outil, le chargeur et la batterie à un centre de service MILWAUKEE accrédité.

AVERTISSEMENT Pour minimiser les risques de blessures ou de dommages à l'outil, n'immergez jamais l'outil, la batterie ou le chargeur et ne laissez pas de liquide s'infiltrer.

Nettoyage

Débarrassez les événements des débris et de la poussière. Gardez les poignées propres, à sec et exempts d'huile ou de graisse. Le nettoyage doit se faire avec un linge humide et un savon doux. Certains nettoyants tels l'essence, la térébenthine, les diluants à laque ou à peinture, les solvants chlorés, l'ammoniaque et les détergents d'usage domestique qui en contiennent pourraient détériorer le plastique et l'isolation des pièces. Ne laissez jamais de solvants inflammables ou combustibles auprès des outils.

Réparations

Pour les réparations, retournez outil, batterie et chargeur en entier au centre-service le plus près.

ACCESOIRES

AVERTISSEMENT L'utilisation d'autres accessoires que ceux qui sont spécifiquement recommandés pour cet outil peut comporter des risques.

Pour une liste complète des accessoires, visiter le site internet www.milwaukeetool.com ou contactez un distributeur.

SERVICE - CANADA

Milwaukee Tool (Canada) Ltd

1.800.268.4015

Monday-Friday, 7:00 AM - 4:30 PM CST

www.milwaukeetool.ca

GARANTIE LIMITÉE - AUX ÉTATS-UNIS ET AU CANADA

Chaque outil électrique MILWAUKEE (voir exceptions ci-dessous) est garanti à l'acheteur d'origine uniquement pour être exempt de vices de matériaux et de fabrication. Sous réserve de certaines exceptions, MILWAUKEE réparera ou remplacera toute pièce d'un outil électrique qui, après examen par MILWAUKEE, s'est avérée être affectée d'un vice de matériau ou de fabrication et ce pendant une période de cinq (5) ans** à compter de la date d'achat, sauf indication contraire. Retourner l'outil électrique à un centre de réparation en usine MILWAUKEE ou à un poste d'entretien agréé MILWAUKEE, en port prépayé et assuré. Une copie de la preuve d'achat doit être présentée lors du retour de l'outil. Cette garantie ne couvre pas les dommages que MILWAUKEE détermine être causés par des réparations ou des tentatives de réparation par quiconque autre que le personnel agréé par MILWAUKEE, ou par des utilisations incorrectes, des altérations, des utilisations abusives, une usure normale, une carence d'entretien ou des accidents.

Usure normale : Plusieurs outils électriques requièrent un remplacement et un entretien périodique de leurs pièces pour un meilleur rendement. Cette garantie ne couvre pas la réparation des pièces due à l'utilisation normale de l'outil, y compris, mais sans s'y limiter, les mandrins, les brosses, les cordes, les sabots de scie, les porte-lames, les joints toriques, les joints, les amortisseurs, les lames d'entraînement, les pistons, les perceurs, les crochets et les rondelles à couvercle amortisseur.

* Cette garantie ne s'applique pas aux clouuses-agrafeuses pneumatiques, aux pulvérisateurs à peinture sans air, aux vis-à-vis, aux outils sans fil, aux génératrices d'alimentation portatives à essence, aux vestes à main, aux monte-charges - électriques, à levier et à chaîne, aux vestes chauffantes M12™, aux produits ré-utilisés, ni aux produits d'essai et de mesure. Il existe des garanties séparées distinctes pour ces produits.

** La période de garantie applicable pour les radios de chantier, le port d'alimentation M12™, la source électrique M18™, le ventilateur de chantier et les chariots de travail industriels Trade Titan™ est d'une durée d'un (1) an à compter de la date d'achat. La période de garantie pour les Câbles de nettoyage des canalisations est de deux (2) ans à compter de la date d'achat. La période de garantie pour le Pistolet thermique compact M18™ et Dépoussiéreur de 9 gallons est de trois (3) ans à compter de la date d'achat. La période de garantie couvrant la DEL de la lampe de travail à DEL et l'ampoule améliorée à DEL de la lampe de travail est une garantie à vie du produit soumise aux limitations ci-dessus. En cas de défaillance de la DEL ou de l'ampoule à DEL pendant son utilisation normale, la pièce défaillante sera remplacée gratuitement.

L'enregistrement de la garantie n'est pas nécessaire pour bénéficier de la garantie en vigueur sur un outil électrique MILWAUKEE. La date de fabrication du produit servira à établir la période de garantie, si aucune preuve d'achat n'est fournie lorsqu'une demande de service sous garantie est déposée.

L'ACCEPTATION DES RECOURS EXCLUSIFS DE RÉPARATION ET DE REMPLACEMENT DÉCRITS DANS LES PRÉSENTES EST UNE CONDITION DU CONTRAT D'ACHAT DE TOUT PRODUIT MILWAUKEE. SI VOUS N'ACCEPTÉZ PAS CETTE CONDITION, VOUS NE DEVEZ PAS ACHETER LE PRODUIT. EN AUCUN CAS, MILWAUKEE NE SAURAIT ÊTRE RESPONSABLE DE TOUT DOMMAGE ACCESSOIRE, SPÉCIAL OU INDIRECT, DE DOMMAGES-INTÉRÊTS PUNITIFS OU DE TOUTE DÉPENSE, D'HONORAIRES, D'AVOCAT, DE FRAIS DE PERTE OU DE DÉLAIS ACCESSOIRES À TOUT DOMMAGE, DÉFAILLANCE OU DÉFAUT DE TOUT PRODUIT, Y COMPRIS NOTAMMENT LES PERTES DE PROFIT. CERTAINS ÉTATS ET PROVINCES NE PERMETTANT L'EXCLUSION OU LA LIMITATION DES DOMMAGES DIRECTS OU INDIRECTS, LES RESTRICTIONS CI-DESSUS PEUVENT NE PAS VOUS ÊTRE APPLICABLES. CETTE GARANTIE EST EXCLUSIVE ET REMPLACE TOUTE AUTRE GARANTIE EXPRESSE, QU'ELLE SOIT VERBALE OU ÉCRITE. DANS LA MESURE PERMISE PAR LA LOI, MILWAUKEE RENONCE À TOUTE GARANTIE IMPLICITE, Y COMPRIS, MAIS SANS S'Y LIMITER, TOUTE GARANTIE IMPLICITE DE QUALITÉ MARCHANDE OU D'ADAPTATION À UNE UTILISATION OU À UNE FIN PARTICULIÈRE. DANS LA MESURE OU TELLE STIPULATION D'EXONÉRATION N'EST PAS PERMISE PAR LA LOI, LA DURÉE DE CES GARANTIES IMPLICITES EST LIMITÉE À LA PÉRIODE APPLICABLE DE LA GARANTIE EXPRESSE, TEL QUE CELA EST DÉCRIT PRÉCÉDEMMENT. CERTAINS ÉTATS ET PROVINCES NE PERMETTANT PAS DE LIMITATION DE DURÉE DES GARANTIES IMPLICITES, LES RESTRICTIONS CI-DESSUS PEUVENT DONC NE PAS VOUS ÊTRE APPLICABLES. LA PRÉSENTE VOUS CONFÈRE DES DROITS LÉGAUX PARTICULIERS; VOUS BÉNÉFICIEZ ÉGALEMENT D'AUTRES DROITS QUI VARIENT D'UN ÉTAT À UN AUTRE. Cette garantie s'applique aux produits vendus aux États-Unis et au Canada uniquement.

Veillez consulter la rubrique Centre SAV Milwaukee, dans la section Pièces et Services du site Web de MILWAUKEE, à l'adresse www.milwaukeetool.com, ou composer le 1-800-SAWDUST (1-800-729-3878) afin de trouver le centre de service de votre région le plus proche pour l'entretien, sous garantie ou non, de votre outil électrique Milwaukee.

GARANTIE LIMITÉE - MEXIQUE, AMÉRIQUE CENTRALE ET CARAÏBES

TECHTRONIC INDUSTRIES* garantit le produit pendant 5 ans à partir de la date d'achat d'origine.

Le présent bon de garantie couvre tous les vices de matériau et de fabrication que peut afficher ce produit.

Pour assurer la validité de la présente garantie, veuillez présenter ce bon de garantie, estampillé du sceau du distributeur ou du magasin où le produit a été acheté, au centre de réparations agréé. Si le bon de garantie n'a pas été estampillé, veuillez fournir la preuve d'achat d'origine au centre de réparations agréé.

Pour un entretien des pièces, des accessoires ou des composants, composer sans frais le 1-800-030-7777 afin d'obtenir les coordonnées du centre de réparations agréé le plus près.

Procédure pour assurer la validité de la garantie

Présenter le produit au centre de réparations agréé, accompagné du bon de garantie estampillé du sceau du distributeur ou du magasin où le produit a été acheté. Toute pièce défectueuse ou tout composant défectueux sera remplacé(e) sans frais. Milwaukee assume tous les frais de transport liés à ce processus de garantie.

Exceptions

Cette garantie ne s'applique pas dans les situations suivantes :

- Si le produit a été utilisé pour une fin autre que celle indiquée dans le guide de l'utilisateur final ou le manuel d'instructions.
- Si les conditions d'utilisations ne sont pas habituelles.
- Si le produit a été modifié ou réparé par une personne non autorisée par TECHTRONIC INDUSTRIES.

Remarque : Si le cordon électrique est endommagé, il doit être remplacé par un centre de réparations agréé pour éviter les risques d'électrocution.

CENTRE DE RÉPARATIONS ET DE SERVICE

Composer le 01 (800) 030-7777

IMPORTÉ ET COMMERCIALISÉ PAR

TECHTRONIC INDUSTRIES, MEXIQUE, SA DE CV

Av Presidente Masank #29 piso 7, Col. Polanco V Sección

CP 11560, Deleg. Miguel Hidalgo, CDMX

Modèle : _____

Date d'achat : _____

Sceau du distributeur ou du magasin : _____

ADVERTENCIAS DE SEGURIDAD GENERALES PARA LA HERRAMIENTA ELÉCTRICA

▲ ADVERTENCIA Lea todas las advertencias de seguridad, instrucciones, ilustraciones y especificaciones con esta herramienta eléctrica. Si no sigue todas las advertencias e instrucciones, se pueden provocar una descarga eléctrica, un incendio o lesiones graves. Guarde todas las advertencias e instrucciones para consultarlas en el futuro. El término "herramienta eléctrica" en todas las advertencias incluidas más abajo se refiere a su herramienta operada por conexión (cable) a la red eléctrica o por medio de una batería (inalámbrica).

SEGURIDAD EN EL ÁREA DE TRABAJO

- **Mantenga el área de trabajo limpia y bien iluminada.** Las áreas desordenadas u oscuras son propicias para los accidentes.
- **No utilice herramientas eléctricas en atmósferas explosivas, tales como en presencia de líquidos, gases o polvos inflamables.** Las herramientas eléctricas generan chispas que pueden encender el polvo o los vapores.
- **Mantenga a los niños y a los espectadores alejados mientras utiliza una herramienta eléctrica.** Las distracciones pueden ocasionar la pérdida de control.

SEGURIDAD ELÉCTRICA

- **Los enchufes de la herramienta eléctrica deben coincidir con el tomacorriente. Nunca modifique el enchufe de ninguna manera. No utilice adaptadores de enchufe con herramientas eléctricas aterrizadas.** Los enchufes y tomacorrientes correspondientes sin modificar reducirán el riesgo de descarga eléctrica.
- **Evite el contacto corporal con superficies aterrizadas, tales como tuberías, radiadores, estufas y refrigeradores.** Existe un riesgo mayor de descarga eléctrica si su cuerpo está aterrizado.
- **No exponga las herramientas eléctricas a la lluvia ni a condiciones húmedas.** Si se introduce agua en una herramienta eléctrica, aumentará el riesgo de descarga eléctrica.
- **No maltrate el cable. Nunca utilice el cable para cargar, jalar o desconectar la herramienta eléctrica. Mantenga el cable alejado del calor, el aceite, los bordes afilados o las partes en movimiento.** Los cables dañados o enredados aumentan el riesgo de descarga eléctrica.
- **Al utilizar una herramienta eléctrica en exteriores, utilice una extensión adecuada para uso en exteriores.** El uso de una extensión adecuada para el uso en exteriores disminuye el riesgo de descarga eléctrica.
- **Si es inevitable utilizar una herramienta eléctrica en un lugar húmedo, utilice un alimentador de corriente protegido con un interruptor de circuito por falla de conexión a tierra (GFCI).** El uso de un GFCI reduce el riesgo de descarga eléctrica.

SEGURIDAD PERSONAL

- **Manténgase alerta, atento a lo que está haciendo y utilice el sentido común al utilizar una herramienta eléctrica. No utilice una herramienta eléctrica mientras está cansado o bajo la influencia de drogas, alcohol o medicamentos.** Un momento de distracción al utilizar herramientas eléctricas puede ocasionar lesiones personales graves.

- **Utilice equipo de protección personal. Siempre use protección para los ojos.** El equipo de protección, tal como una máscara contra polvo, calzado antideslizante, casco o protección auditiva, utilizado para condiciones adecuadas disminuirá las lesiones personales.
- **Evite el arranque accidental. Asegúrese de que el interruptor esté en la posición de apagado antes de conectarlo a una fuente de poder y/o batería, levantar o trasladar la herramienta.** Trasladar herramientas con el dedo en el interruptor o energizar herramientas eléctricas que tienen el interruptor encendido propicia accidentes.
- **Retire cualquier llave de ajuste antes de entender la herramienta.** Una llave que se deje insertada en una parte giratoria de la herramienta eléctrica puede ocasionar lesiones personales.
- **No estire el cuerpo demasiado. Mantenga un buen contacto entre los pies y el suelo y mantenga el equilibrio en todo momento.** Esto permite un mejor control de la herramienta eléctrica en situaciones inesperadas.
- **Vístase adecuadamente. No utilice ropa o joyería holgada. Mantenga el cabello y la ropa alejados de las partes móviles.** La ropa holgada, las alhajas o el cabello largo pueden quedarse atrapados en las partes móviles.
- **Si se proporcionan dispositivos para la conexión de instalaciones de extracción y recolección de polvo, cerciórese de que estén conectados y se utilicen correctamente.** El uso de dispositivos recolectores de polvo puede disminuir los riesgos relacionados con el polvo.
- **No permita que la familiaridad por el uso frecuente de las herramientas lo hagan sentirse seguro e ignorar los principios de seguridad de las herramientas.** Un descuido puede provocar lesiones graves en una fracción de segundo.

USO Y CUIDADO DE LAS HERRAMIENTAS ELÉCTRICAS

- **No fuerce la herramienta eléctrica. Utilice la herramienta eléctrica correcta para su aplicación.** La herramienta eléctrica correcta realizará el trabajo mejor y con mayor seguridad a la velocidad para la que fue diseñada.
- **No utilice la herramienta eléctrica si el interruptor no la enciende y la apaga.** Cualquier herramienta eléctrica que no pueda controlarse con el interruptor es peligrosa y debe repararse.
- **Desconecte el enchufe de la fuente de energía y/o quite la batería de la herramienta eléctrica, si es posible, antes de realizar cualquier ajuste, cambiar accesorios o almacenar las herramientas eléctricas.** Tales medidas preventivas de seguridad disminuyen el riesgo de que la herramienta eléctrica se encienda accidentalmente.
- **Almacene las herramientas eléctricas que no se estén utilizando fuera del alcance de los niños y no permita que personas que no estén familiarizadas con la herramienta eléctrica o con estas instrucciones la utilicen.** Las herramientas eléctricas son peligrosas en manos de usuarios sin capacitación.
- **Dé mantenimiento a las herramientas eléctricas y accesorios. Verifique que no haya desalinación, amarre de partes móviles, partes rotas o alguna otra condición que pueda afectar el funcionamiento de la herramienta eléctrica. Si se daña, asegúrese de que la herramienta eléctrica**

sea reparada antes de que se utilice. Muchos accidentes son ocasionados por herramientas eléctricas con mantenimiento deficiente.

- **Mantenga las herramientas de corte afiladas y limpias.** Las herramientas de corte correctamente mantenidas con bordes de corte afilados son menos propensas a atorarse y son más fáciles de controlar.
- **Utilice la herramienta eléctrica, los accesorios y las puntas, etc. de acuerdo con estas instrucciones, tomando en cuenta las condiciones de trabajo y el trabajo a realizar.** El uso de la herramienta eléctrica para operaciones diferentes a las previstas podría generar una situación peligrosa.
- **Mantenga las empuñaduras y rías superficies de sujeción secas, limpias y libres de aceite y grasa.** Las empuñaduras y superficies de sujeción resbalosas no permiten el manejo y control seguros de la herramienta en situaciones inesperadas.

USO Y CUIDADO DE LAS HERRAMIENTAS CON BATERÍA

- **Recargue únicamente con el cargador especificado por el fabricante.** Un cargador que es adecuado para un tipo de batería puede crear un riesgo de incendio si se utiliza con otra batería.
- **Utilice las herramientas eléctricas únicamente con baterías específicamente diseñadas.** El uso de cualquier otra batería puede producir un riesgo de lesiones e incendio.
- **Cuando la batería no esté en uso, manténgala alejada de otros objetos metálicos como sujetapapeles, monedas, llaves, clavos, tornillos u otros objetos metálicos pequeños que puedan formar una conexión de una terminal a otra.** Crear un corto entre las terminales de la batería puede ocasionar quemaduras o un incendio.
- **Bajo condiciones de maltrato, el líquido puede ser expulsado de la batería, evite el contacto. En caso de contacto accidental, lave con agua. Si el líquido entra en contacto con los ojos, busque además ayuda médica.** El líquido expulsado de la batería puede causar irritación o quemaduras.
- **No use una batería o herramienta que se haya dañado o modificado.** Las baterías dañadas o modificadas pueden mostrar un comportamiento impredecible, causando incendios, explosión o riesgo de lesión.
- **No exponga una batería o herramienta al fuego o a temperatura excesiva.** La exposición a fuego o temperatura a más de 130° C (265° F) puede causar explosiones.
- **Siga todas las instrucciones de carga y no cargue la batería o la herramienta fuera del rango de temperatura especificado en las instrucciones.** La carga incorrecta o a temperaturas fuera del rango especificado puede dañar la batería y aumentar el riesgo de incendio.

MANTENIMIENTO

- **Lleve su herramienta eléctrica a servicio con un técnico calificado que use únicamente piezas de reemplazo idénticas.** Esto asegurará que la seguridad de la herramienta eléctrica se mantenga.
- **Nunca dé servicio a baterías dañadas.** Únicamente el fabricante o proveedores de servicio autorizados deben dar servicio a las baterías.

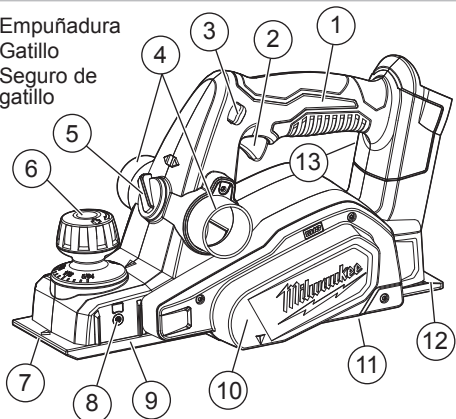
REGLAS ESPECIFICAS DE SEGURIDAD PARA CEPILLO

Advertencias de seguridad para cepillos:

- **Espere a que la cuchilla se detenga antes de dejar la herramienta sobre una superficie.** Una cuchilla giratoria expuesta puede atorarse en la superficie, ocasionando posible pérdida de control y lesiones graves.
- **Utilice prensas de banco u otra forma práctica de sujetar y soportar la pieza de trabajo a una plataforma estable.** Sostener la pieza de trabajo con las manos o apoyada contra el cuerpo ocasiona inestabilidad y puede generar pérdida de control.
- **Inspeccione y retire los clavos de la pieza de trabajo antes de cortar.** Los clavos dañarán la herramienta y pueden ocasionar que fragmentos del clavo o la cuchilla salgan disparados hacia el operador.
- **Utilice únicamente hojas de cepillo afiladas y correctamente emparejadas.** Siempre cambie las hojas en pares. Las hojas sin filo o incorrectamente emparejadas pueden ocasionar amarres, desprendimientos de material o pérdida de control, ocasionando lesiones.
- **Mantenga las manos y las partes del cuerpo alejadas de las hojas.** Sostenga la herramienta firmemente con ambas manos. El contacto con la hoja causará lesiones graves.
- **Las hojas están afiladas.** Tenga cuidado al cambiar o ajustar las hojas.
- **Antes de usar la herramienta, asegúrese de que los pernos estén apretados y las hojas estén correctamente alineadas.** Encienda la herramienta para verificar que no hay vibración o bamboleo, lo que podría indicar que las hojas están incorrectamente instaladas.
- **Mantenga las manos y los dedos alejados de la canaleta de descarga de polvo.** Apague la herramienta y retire la batería antes de despejar los atascos.
- **Conserve las etiquetas y las placas nominales.** Contienen información importante. Si son ilegibles o no están presentes, comuníquese con un centro de servicio MILWAUKEE para obtener un reemplazo gratuito.
- **⚠ ADVERTENCIA** Algunos polvos generados por el lijado eléctrico, aserrado, pulido, taladrado y otras actividades de construcción contienen químicos identificados como causantes de cáncer, defectos congénitos u otros daños reproductivos. Algunos ejemplos de estos químicos son:
 - plomo de pintura basada en plomo
 - dióxido de silicio de los ladrillos y el cemento y otros productos de albañilería y
 - arsénico y cromo de madera con tratamiento químico.Su riesgo por estas exposiciones varía, dependiendo de la frecuencia con que realice este tipo de trabajo. Para reducir su exposición a estos químicos: trabaje en un área bien ventilada y trabaje con equipo de seguridad aprobado, como mascarillas protectoras contra polvo especialmente diseñadas para filtrar partículas microscópicas.

DESCRIPCION FUNCIONAL

1. Empuñadura
2. Gatillo
3. Seguro de gatillo



4. Puertos de escape
5. Selector de escape
6. Perilla de profundidad (superficie de agarre)
7. Ranura de chaffín
8. Inserto de tope guía (ambos lados de la herramienta)
9. Zapata delantera
10. Guarda de banda de accionamiento
11. Pata de apoyo (no se muestra)
12. Zapata trasera
13. Almacenaje de llaves (no se muestra)

SIMBOLOGÍA



Volts



Corriente continua

n_r XXXX min⁻¹ Revoluciones por minuto sin carga (RPM)



UL Listing Mark para
Canadá y Estados Unidos

ESPECIFICACIONES

Cat. No.	2623-20
Volts	18 CD
Tipo de batería	M18™
Tipo de cargador	M18™
Temperatura ambiente recomendada para operar	-18°C to 50°C (0°F to 125°F)
RPM	0 - 14 000
Máxima profundidad de cepillado	2 mm (5/64")
Máxima profundidad de machihembrado	10,7 mm (27/64")
Máximo anchode cepillado	82 mm (3-1/4")

ENSAMBLAJE

⚠ ADVERTENCIA Recargue la batería sólo con el cargador especificado para ella. Para instrucciones específicas sobre cómo cargar, lea el manual del operador suministrado con su cargador y la batería.

Como se inserta/quita la batería en la herramienta

Para retirar la batería, presione los botones de liberación y jale de la batería para sacarla de la herramienta.

⚠ ADVERTENCIA Para reducir el riesgo de lesiones, extraiga siempre la batería antes de acoplar o desacoplar accesorios. Para introducir la batería, deslícela en el cuerpo de la herramienta. Asegúrese de que quede bien firme en su posición.

⚠ ADVERTENCIA Utilice únicamente accesorios específicamente recomendados para esta herramienta. El uso de accesorios no recomendados podría resultar peligroso.

Para reducir el riesgo de lesiones, use siempre lentes de seguridad o anteojos con protectores laterales.

El polvo de recubrimientos de superficie, tales como poliuretanos, aceite de linaza, etc. puede incendiarse espontáneamente. Para reducir el riesgo de incendio, vacíe la bolsa de polvo cuando se llene a la mitad y nunca guarde ni deje un cepillo sin vaciar por completo su bolsa de polvo. Siga también las recomendaciones de los fabricantes de los recubrimientos.

Recolección de polvo

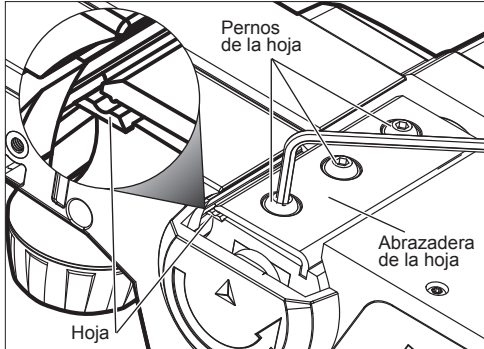
Cambie el selector de escape a la izquierda o a la derecha, según el trabajo a realizar. Use la bolsa de polvo opcional (Cat. No. 42-16-2623) o una aspiradora conectada y en operación al utilizar el cepillo para mantener más limpia el área de trabajo. Instale la bolsa de polvo o una manguera de aspiradora (38 mm (1-1/2") de diámetro) enroscándola en el puerto de escape seleccionado. Siempre vacíe y limpie la bolsa de polvo por completo cuando se llene a la mitad y al terminar un trabajo.

⚠ ADVERTENCIA Las hojas están afiladas y son frágiles. Manéjelas con cuidado. Pueden ocurrir laceraciones y/o daños a la hoja.

Instalación/reemplazo de las hojas

Las hojas del cepillo tienen dos bordes de corte y pueden voltearse cuando uno de los bordes de corte pierda el filo o se desportille. No afile las hojas del cepillo. Siempre cambie/voltee las hojas en pares. Utilice únicamente hojas de cepillo de 82 mm (3-1/4") de tungsteno-carburo o carburo, de doble filo (reversibles).

⚠ ADVERTENCIA Siempre cambie/voltee las hojas en pares. Las hojas no emparejadas pueden causar aumentos en la vibración, pérdida de control y menor desempeño de la herramienta.



Para quitar las hojas:

1. Quite la batería.
2. Limpie el polvo y la basura del tambor de la hoja.
3. Con la llave hexagonal de 1/8" proporcionada, afloje (no quite) los tres pernos de la hoja.
4. Con un pedazo de madera sobrante, deslice la hoja gastada hacia fuera de la abrazadera de la hoja.

NOTA: Si no sale fácilmente, limpie la hoja y la abrazadera de la hoja con alcohol, alcoholes minerales o adelgazador de laca.

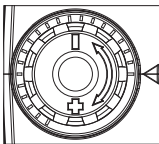
5. Gire el tambor de la hoja y repita el proceso con la otra hoja.

Para instalar las hojas:

6. Voltee las hojas para usar los filos nuevos.
7. Alinee la ranura de la parte superior de la hoja con el reborde de la abrazadera de la hoja y deslice cuidadosamente la hoja sobre el tambor.
8. Centre la hoja a lo largo, sobresaldrá un poco de la abrazadera a ambos lados.
9. Con un bloque de madera, empuje la hoja hacia la abrazadera de manera que el lado inferior de la hoja quede presionado contra el escalón del tambor. Esto asegurará la debida alineación y reducirá la vibración de la herramienta.
10. Apriete los tres pernos de la hoja firmemente.
11. Gire el tambor de la hoja y repita el proceso con la otra hoja.
12. Una vez instalada, gire el tambor de la hoja para asegurar que ésta no entre en contacto con la zapata o la carcasa, y que las dos hojas estén instaladas rectamente.

Ajuste de la profundidad de corte

1. Quite la batería.
2. Determine la cantidad de material a remover durante cada pase del cepillo. Tome en cuenta la humedad y la dureza de la pieza de trabajo, así como la velocidad de avance deseada.
3. Cada tope es de 0,1 mm (1/256"). Gire la perilla hacia la derecha para aumentar la profundidad de corte, o hacia la izquierda para disminuirla. No cambie la profundidad de corte durante el cepillado.



4. Haga un corte de prueba. Si el cepillo se mueve fácilmente por la pieza de trabajo, aumente la profundidad de corte. Si el cepillo parece batallar, disminuya la profundidad de corte.

Instalación del tope guía

Use el tope guía para estabilidad adicional al cortar piezas de trabajo de hasta 82 mm (3-1/4") de ancho y al biselar a un ángulo de hasta 45°.

1. Quite la batería
2. Enrosque el tope guía en el inserto izquierdo o derecho del tope.
3. Con los tornillos de ajuste manual, ajuste el ancho y el bisel según el trabajo a realizar.

Cómo cerrar la pata de apoyo

La pata de apoyo se proporciona para proteger la hoja cuando la herramienta se coloca sobre una superficie. Se empuja hacia arriba automáticamente durante una operación normal de cepillado. Para cerrar la pata de apoyo manualmente, empuje hasta cerrar y deslice hacia un lado.

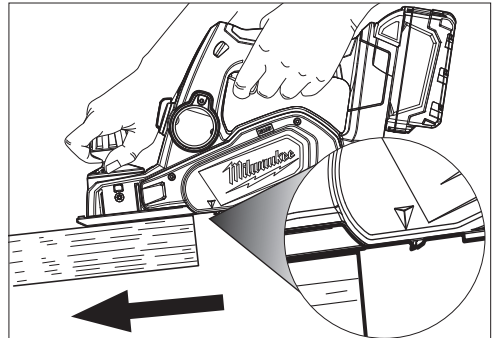
OPERACION

⚠ ADVERTENCIA Para reducir el riesgo de lesiones, extraiga siempre la batería antes de acoplar o desacoplar accesorios. Utilice únicamente accesorios específicamente recomendados para esta herramienta. El uso de accesorios no recomendados podría resultar peligroso.

Para reducir el riesgo de lesiones, use siempre lentes de seguridad o anteojos con protectores laterales.

Operación

1. Quite la batería.
2. Revise las hojas. Cámbielas si es necesario.
3. Instale el tope guía, si lo desea.
4. Ponga el selector de escape del lado deseado. Instale la bolsa de polvo o la aspiradora en el lado necesario de la herramienta, si lo desea.
5. Sujete la pieza de trabajo firmemente con una abrazadera.
6. Inserte la batería
7. Tome firmemente la herramienta de la empuñadura y la perilla de ajuste de profundidad.
8. Alinee el frente de la herramienta con la pieza de trabajo. SIN hacer contacto entre el tambor y la pieza de trabajo, presione hacia abajo el seguro del gatillo y oprima el gatillo. Espere a que la herramienta llegue a su velocidad máxima antes de empezar para evitar sobrecargar y dañar la herramienta.



- Manteniendo la zapata delantera al ras de la pieza de trabajo, use presión suave para guiar el cepillo. Toda la presión debe aplicarse a la zapata delantera al iniciar el corte. Transfiera la presión hacia abajo a la zapata trasera a medida que entra en contacto con la pieza de trabajo.

- Para mejores resultados, empuje el cepillo por la pieza de trabajo a una velocidad uniforme. No empuje demasiado rápido, ya que hacerlo forzará el motor y podría dañar las hojas. No jale el cepillo hacia atrás sobre la pieza de trabajo.



Alimentación lenta + poca profundidad de corte = acabado liso

Alimentación más rápida + mayor profundidad de corte = acabado áspero

- Cuando termine la pasada, levante el cepillo, retirándolo de la pieza de trabajo. Espere a que la hoja se detenga totalmente, antes de dejar la herramienta sobre una superficie.
- Siga utilizando cortes progresivos hasta acercarse a la profundidad deseada. Ponga la perilla de ajuste en poca profundidad para los pases finales. Esto asegurará un acabado liso.
- Vacíe y limpie la bolsa de polvo por completo cuando se llene a la mitad y al terminar un trabajo.
- Si se obstruye el conducto, sacar batería y limpiar el polvo y la suciedad. **¡ADVERTENCIA!** Mantenga las manos y los dedos alejados de la canaleta de descarga de polvo. Apague la herramienta y retire la batería antes de despejar los atascos.

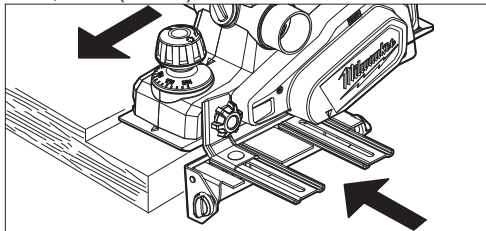
Tipos de corte



Machihembrado, traslapado

El machihembrado o traslapado es un tipo de corte escalonado que se logra haciendo pases repetitivos. Use el tope guía para asegurar un corte recto.

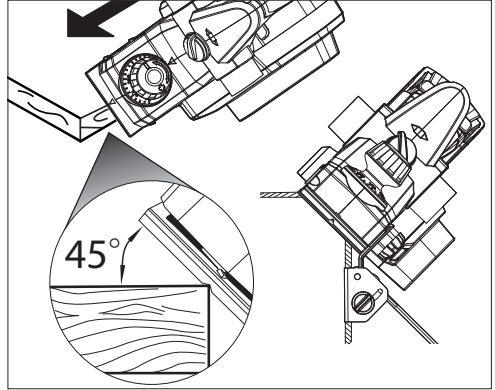
- Alinee el borde de la hoja con la línea de corte y asegure el tope guía contra el costado de la pieza de trabajo.
- Mantenga el borde del tope contra la pieza de trabajo a medida que el cepillo se mueve por la pieza.
- Repita hasta lograr la profundidad deseada. La profundidad máxima de machihembrado es de 10,7 mm (27/64").



Achaflanado

El achaflanado es un tipo de corte en ángulo. Use el tope guía para asegurar que se corte el mismo ángulo durante cada paso repetitivo.

- Alinee la ranura del chaflán en la zapata delantera con el borde de la pieza de trabajo al ángulo deseado.
- Asegure el tope guía contra el costado de la pieza de trabajo usando los tornillos de ajuste manual del bisel.
- Mantenga el borde del tope contra la pieza de trabajo a medida que el cepillo se mueve por la pieza.
- Repita hasta lograr el chaflán deseado.



MANTENIMIENTO

¡ADVERTENCIA Para reducir el riesgo de una lesión, desconecte siempre la herramienta antes de darle cualquier mantenimiento. Nunca desarme la herramienta ni trate de hacer modificaciones en el sistema eléctrico de la misma. Acuda siempre a un Centro de Servicio MILWAUKEE para TODAS las reparaciones.

Mantenimiento de las herramientas

Adopte un programa regular de mantenimiento y mantenga su herramienta en buenas condiciones. Inspeccione la herramienta para problemas como ruidos indebidos, desalineadas o agarrotadas de partes móviles, piezas rotas o cualquier otra condición que pueda afectar el funcionamiento de la herramienta. Envíe su herramienta al Centro de Servicio MILWAUKEE para reparación. Después de 6 meses a un año, dependiendo del uso dado, envíe su herramienta al Centro de Servicio MILWAUKEE más cercano para la inspección.

Si la herramienta no arranca u opera a toda su potencia con una batería completamente cargada, limpie, con una goma o borrador, los contactos de la batería y de la herramienta. Si aun así la herramienta no trabaja correctamente, regrésela, con el cargador y la batería, a un centro de servicio MILWAUKEE.

¡ADVERTENCIA Para reducir el riesgo de lesiones, descarga eléctrica o daño a la herramienta, nunca la sumerja en líquidos ni permita que estos fluyan dentro de la misma.

Limpieza

Limpie el polvo y suciedad de las ventilas. Mantenga los mangos limpios, secos y libres de aceite o grasa. Use solo jabón neutro y un trapo húmedo para limpiar, ya que algunos substancias y solventes limpiadores son dañinos a los plásticos y partes aislantes. Algunos de estos incluyen: gasolina, turpentina, thinner, lacas, thinner para pinturas, solventes para limpieza con cloro, amoníaco y detergentes caseros que tengan amonía. Nunca usa solventes inflamables o combustibles cerca de una herramienta.

Reparaciones

Si su herramienta, batería o cargador están dañados, envíela al centro de servicio más cercano.

ACCESORIOS

⚠️ ADVERTENCIA Utilice sólo los accesorios específicamente recomendados. Otros accesorios puede ser peligroso.

Para una lista completa de accesorios, visite nuestro sitio en Internet: www.milwaukeeetool.com o póngase en contacto con un distribuidor.

SOPORTE DE SERVICIO - MEXICO

CENTRO DE ATENCION A CLIENTES

Techtronic Industries Mexico, S.A. de C.V.

Av. Presidente Masarik 29 Piso 7

11560 Polanco V Seccion

Miguel Hidalgo, Distrito Federal, México

01 (800) 030-7777 o (55) 4160-3540

Lunes a Viernes (9am a 6pm)

O contáctanos en www.milwaukeeetool.com.mx.

GARANTÍA LIMITADA - E.U.A. Y CANADÁ

Cada herramienta eléctrica* de MILWAUKEE (ver excepciones a continuación) está garantizada para el comprador original únicamente de que no tenga material y mano de obra defectuosos. Sujeto a ciertas excepciones, MILWAUKEE reparará o reemplazará cualquier parte en una herramienta eléctrica que tenga defectos de material o mano de obra según lo determine MILWAUKEE mediante una revisión, por un periodo de cinco (5) años** después de la fecha de compra a menos que se indique lo contrario. Al devolver la herramienta eléctrica a un Centro de Servicio de la fábrica de MILWAUKEE o a una Estación de Servicio Autorizada de MILWAUKEE, se requiere que el flete esté pagado por adelantado y asegurado. Se debe incluir una copia del comprobante de compra con el producto devuelto. Esta garantía no aplica a daños que MILWAUKEE determine que son ocasionados por reparaciones o intentos de reparaciones realizados por una persona que no sea personal autorizado de MILWAUKEE, uso indebido, alteraciones, maltrato, desgaste normal, falta de mantenimiento o accidentes.

Desgaste normal: Muchas herramientas eléctricas necesitan un reemplazo periódico de partes y servicio para lograr el mejor desempeño. Esta garantía no cubre la reparación cuando el uso normal ha agotado la vida de una parte, incluyendo sin limitar a mandriles, cepillos, cables, zapatas de la sierra, abrazaderas de la hoja, anillos en O, sellos, protectores, hojas de desatornilladores, pistones, herrajes, levantadores y arandelas de cubierta de los protectores.

*Esta garantía no cubre clavadoras y grapadoras neumáticas, pistola de pintura a presión, baterías inalámbricas, generadores de energía portátil de gasolina, herramientas de mano, palanca y cadena de mano de polipasto - eléctricas, instrumentaria calefactada M12™, producto reacondicionado y productos de prueba y medición. Existen garantías por separado y distintas disponibles para estos productos.

**El periodo de garantía para los radios para obra, puerto de energía M12™, fuente de poder M18™, ventiladores para obra y carretillas de trabajo industrial Trade Titan™ es de un (1) año a partir de la fecha de compra. El periodo de garantía para los Cables de limpieza de drenaje es de dos (2) años a partir de la fecha de compra. El periodo de garantía de la Pistola de calor compacta M18™ de la Extractor de polvo de 8 galones es de tres (3) años a partir de la fecha de compra. El periodo de garantía de las lámparas de LED en la Lámpara de trabajo LED y el Bulbo mejorado de LED para la Luz de trabajo es por la vida del producto sujeto a las limitaciones anteriores. Si durante el uso normal el LED o Bulbo de LED falla, la parte será reemplazada sin cargo.

No se requiere el registro de la garantía para obtener la garantía correspondiente a un producto de herramienta eléctrica de MILWAUKEE. La fecha de manufactura del producto se utilizará para determinar el periodo de garantía si no se proporciona comprobante de compra al solicitar el servicio en garantía.

LA ACEPTACIÓN DE LOS REMEDIOS EXCLUSIVOS DE REPARACIÓN Y REEMPLAZO AQUÍ DESCRITOS ES UNA CONDICIÓN DEL CONTRATO PARA LA COMPRA DE TODO PRODUCTO DE MILWAUKEE. SI USTED NO ACEPTA ESTA CONDICIÓN, NO DEBE COMPRAR EL PRODUCTO. MILWAUKEE NO SERÁ RESPONSABLE EN NINGÚN CASO DE DAÑOS INCIDENTALES, ESPECIALES, EMERGENTES O PUNITIVOS NI DE NINGÚN COSTO, HONORARIOS LEGALES, GASTOS, PÉRDIDAS O DEMORAS ALEGADAS COMO CONSECUENCIA DE ALGUN DAÑO, FALLA O DEFECTO EN NINGÚN PRODUCTO, INCLUYENDO, ENTRE OTROS, RECLAMACIONES POR PÉRDIDA DE UTILIDADES. ALGUNOS ESTADOS NO PERMITEN LA EXCLUSIÓN O LIMITACIÓN DE RESPONSABILIDAD POR DAÑOS INCIDENTALES O EMERGENTES, POR LO QUE LA ANTERIOR LIMITACIÓN O EXCLUSIÓN PODRÍA NO APLICARSE EN SU CASO. ESTA GARANTÍA ES EXCLUSIVA Y REEMPLAZA TODAS LAS DEMÁS GARANTÍAS EXPRESAS, ESCRITAS U ORALES. EN LA MEDIDA EN QUE LO PERMITA LA LEY, MILWAUKEE DESCONOCE CUALQUIER GARANTÍA IMPLÍCITA, INCLUYENDO SIN LIMITACIÓN CUALQUIER GARANTÍA IMPLÍCITA DE COMERCIABILIDAD O IDONEIDAD PARA UN FIN O USO ESPECÍFICO; EN LA MEDIDA EN QUE DICHO DESCONOCIMIENTO NO SEA PERMITIDO POR LA LEY, DICHAS GARANTÍAS IMPLÍCITAS SE LIMITAN A LA DURACIÓN DE LA GARANTÍA EXPRESA CORRESPONDIENTE SEGÚN SE DESCRIBIÓ ANTERIORMENTE. ALGUNOS ESTADOS NO PERMITEN LIMITACIONES SOBRE LA DURACIÓN DE UNA GARANTÍA IMPLÍCITA, POR LO QUE LA ANTERIOR LIMITACIÓN PUDIERA NO APLICARSE A USTED. ESTA GARANTÍA LE DA DERECHOS LEGALES ESPECÍFICOS Y USTED PODRÍA ADEMÁS TENER OTROS DERECHOS QUE VARIAN DE UN ESTADO A OTRO.

Esta garantía aplica al producto vendido en los Estados Unidos y Canadá únicamente.

Consulte la "Búsqueda de centro de servicio" en la sección de Partes y servicio del sitio web de MILWAUKEE en www.milwaukeeetool.com o llame al 1.800.SAWDUST (1.800.729.3878) para localizar su centro de servicio más cercano para darle servicio con y sin garantía a una herramienta eléctrica de Milwaukee.

PÓLIZA DE GARANTÍA - VALIDA SOLO PARA MEXICO, AMÉRICA CENTRAL Y EL CARIBE

La garantía de TECHTRONIC INDUSTRIES es por 5 años a partir de la fecha original de compra.

Esta tarjeta de garantía cubre cualquier defecto de material y mano de obra en ese Producto.

Para hacer válida esta garantía, presente esta tarjeta de garantía, cerrada/sellada por el distribuidor o la tienda donde compró el producto, al Centro de Servicio Autorizado (ASC). O, si esta tarjeta no se ha cerrado/sellado, presente la prueba original de compra a ASC. Llame gratis al 01 (800) 030-7777 para encontrar el ASC más cercano, para servicio, partes, accesorios o componentes.

Procedimiento para hacer válida esta garantía

Lleve el producto a ASC, junto con la tarjeta de garantía cerrada/sellada por el distribuidor o la tienda donde compró el producto, y cualquier pieza o componente defectuoso se reemplazará sin costo para usted. Cubriremos todos los costos de flete con relación a este proceso de garantía

Excepciones

Esta garantía no tendrá validez en las siguientes situaciones:

- Cuando el producto se use de manera distinta a la que indica el manual del usuario final o de instrucciones.
- Cuando las condiciones de uso no sean normales.
- Cuando otras personas no autorizadas por TECHTRONIC INDUSTRIES modifiquen o reparen el producto.

Nota: si el juego de cables está dañado, tiene que reemplazarse en un Centro de Servicio Autorizado para evitar riesgos eléctricos.

CENTRO DE SERVICIO Y ATENCIÓN

Llame al 01 (800) 030-7777

IMPORTADO Y COMERCIALIZADO POR
TECHTRONIC INDUSTRIES, MÉXICO, SA DE CV
Av. President Masarik #29 piso 7, Col. Polanco V Sección
CP 11560, Deleg. Miguel Hidalgo, CDMX

Modelo: _____

Fecha de Compra: _____

Sello del Distribuidor: _____

MILWAUKEE TOOL
13135 West Lisbon Road
Brookfield, WI 53005 USA

58140026d2
04/17

961016113-02(A)
Printed in China